



**SERIES VTC500**



Mtr.nr: 9814 02 98 • Ritn.nr: 9144 utg.C • Rev. 1609

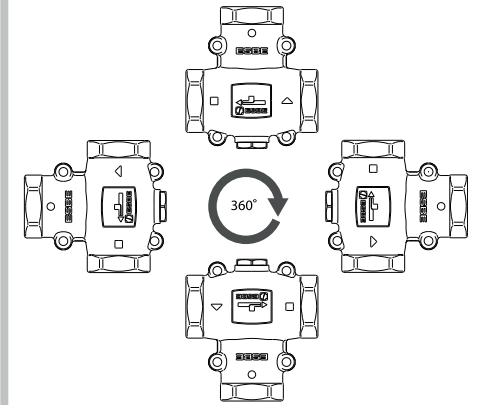
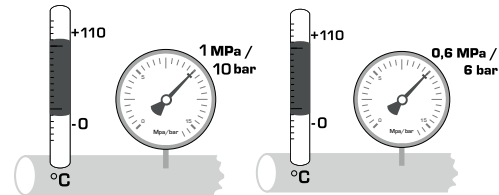


Series VTC511  
Series VTC512  
Series VTC531

CE  
PED 2014/68/EU, article 4.3

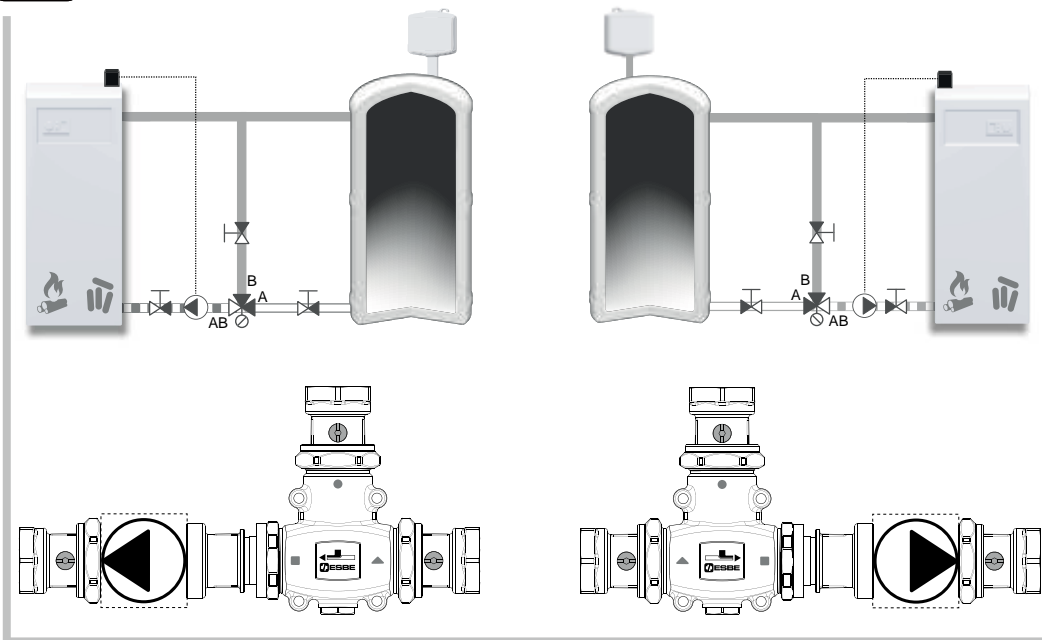
Series VTC511  
Series VTC512

Series VTC531



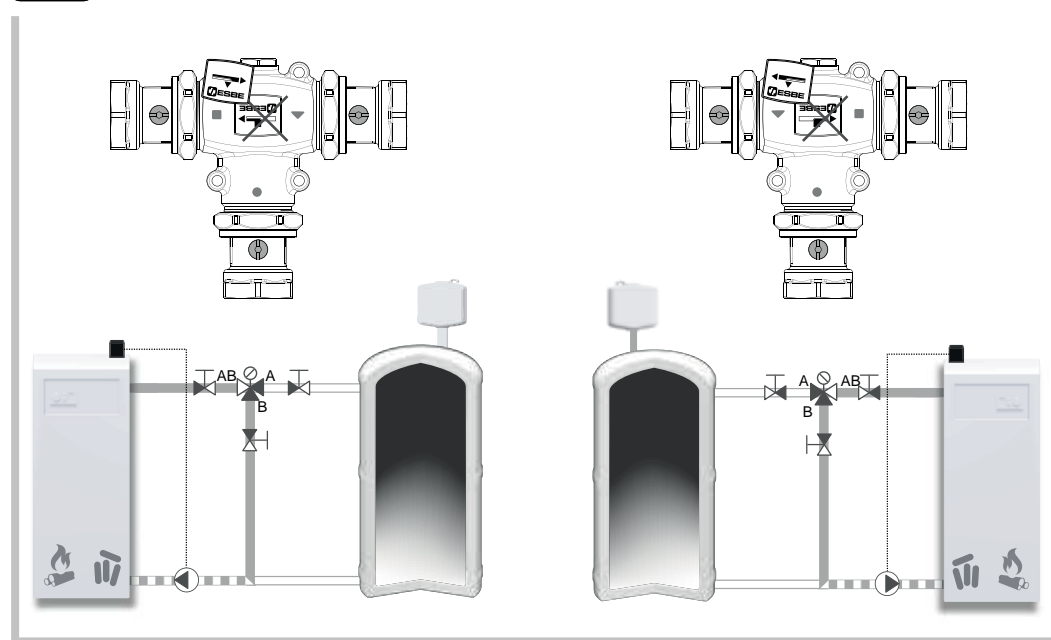
**1**

50/55/60/65/70/75 °C

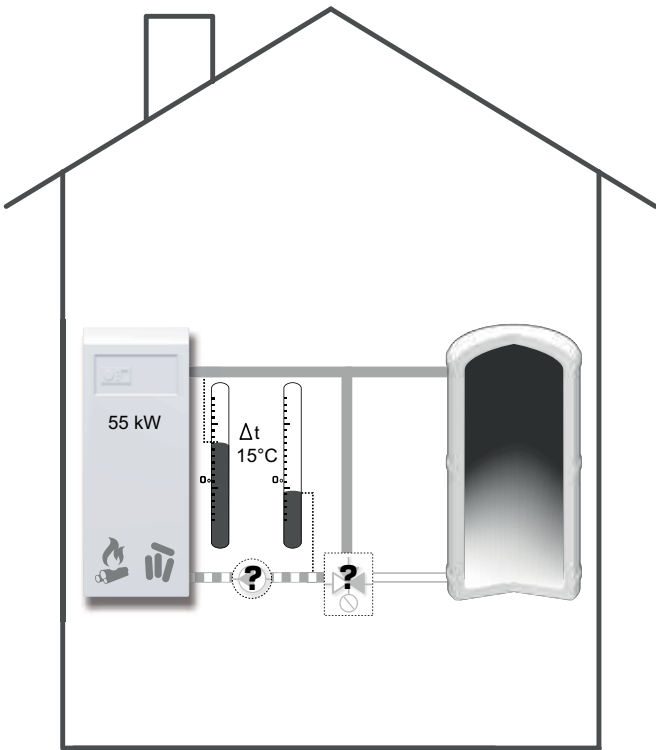


**2**

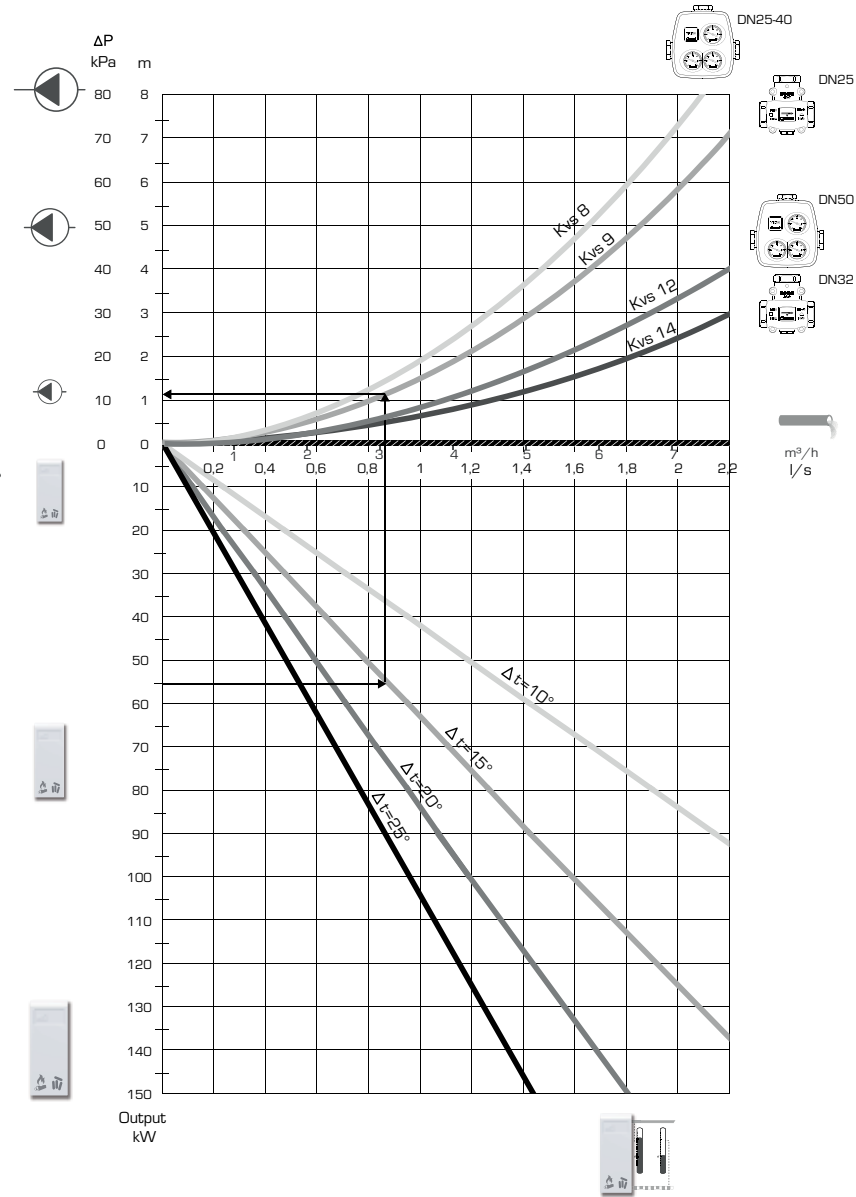
70/75 °C



1



2



3

