



**SERIES VTC300/VTC400**

**ESBE**  
NO.1 IN HYDRONIC SYSTEM CONTROL

Mtrl.nr: 9814 02 86 • Ritn.nr: 9143 utg. D • Rev. 1511

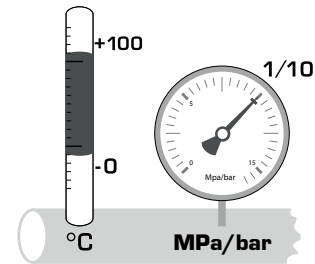


Series VTC311  
Series VTC312  
Series VTC317  
Series VTC318

Series VTC412  
Series VTC422

CE

PED 2014/68/EU, article 4.3



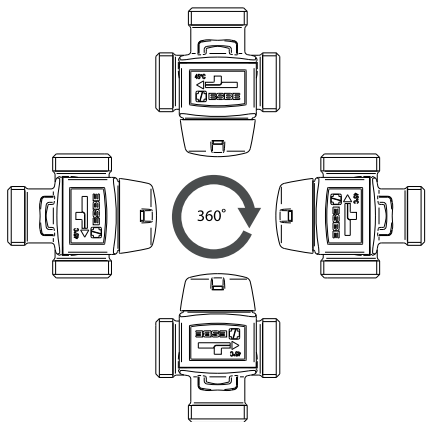
VTC310



VTC410

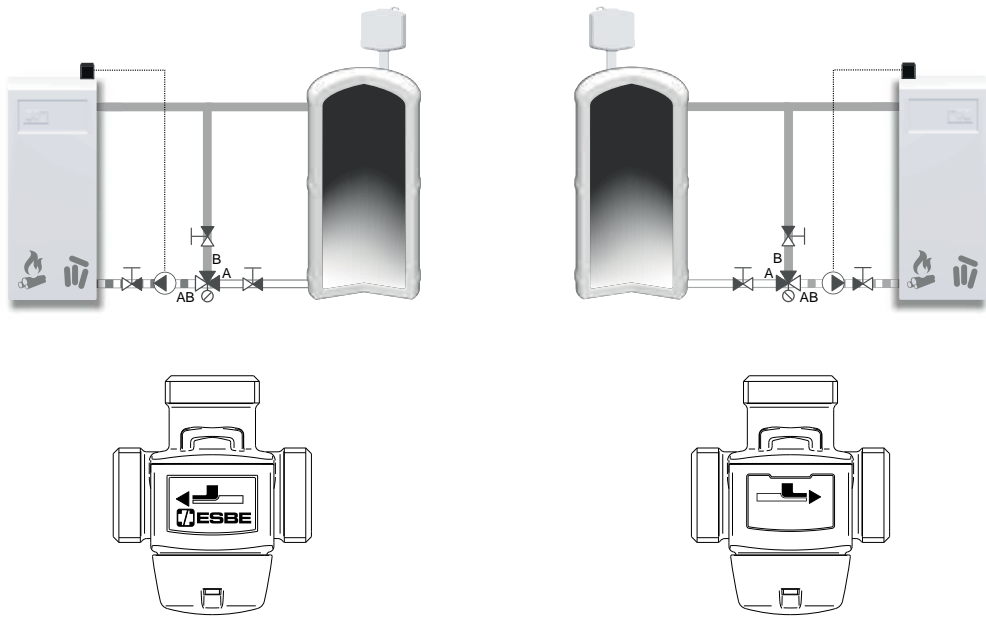


VTC420

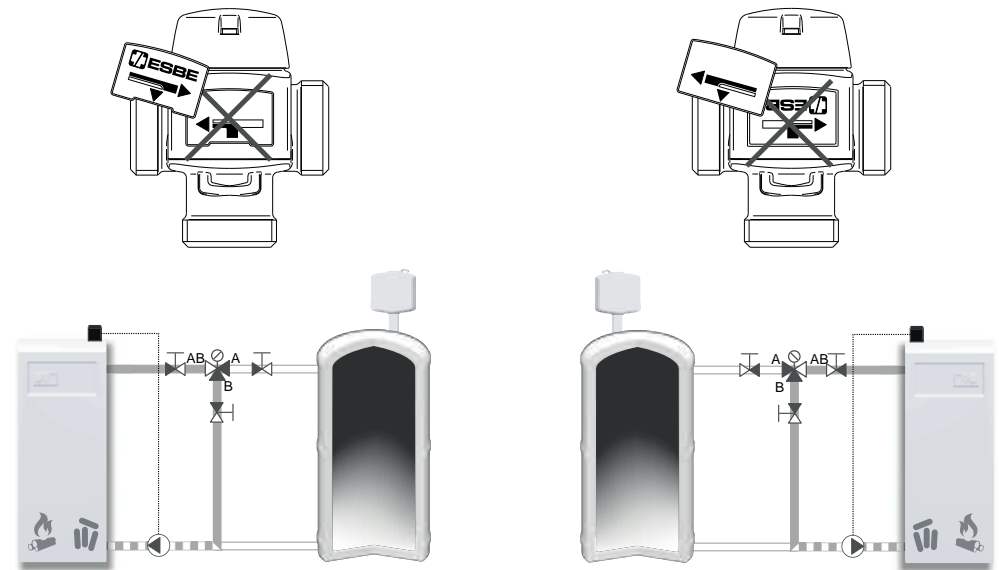




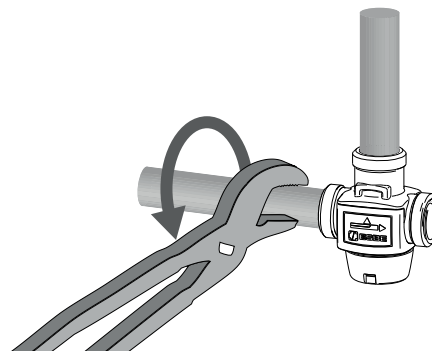
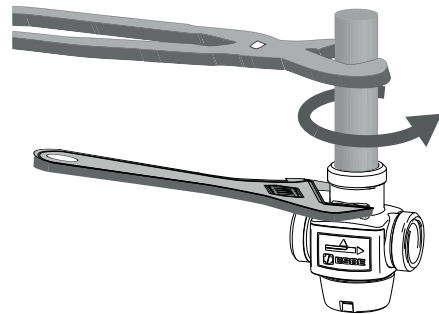
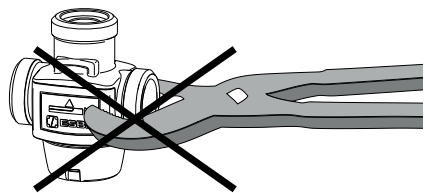
45/50/55/60/65/70/80 °C



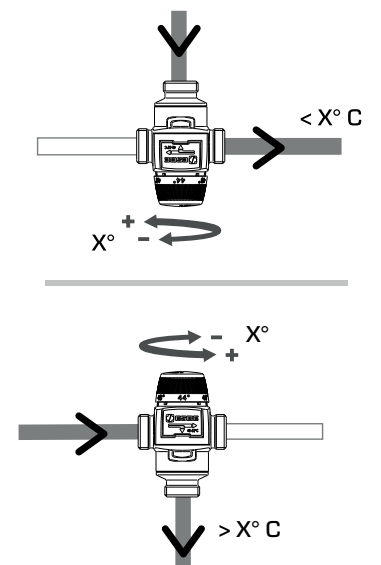
70/80 °C



VTC300/VTC400

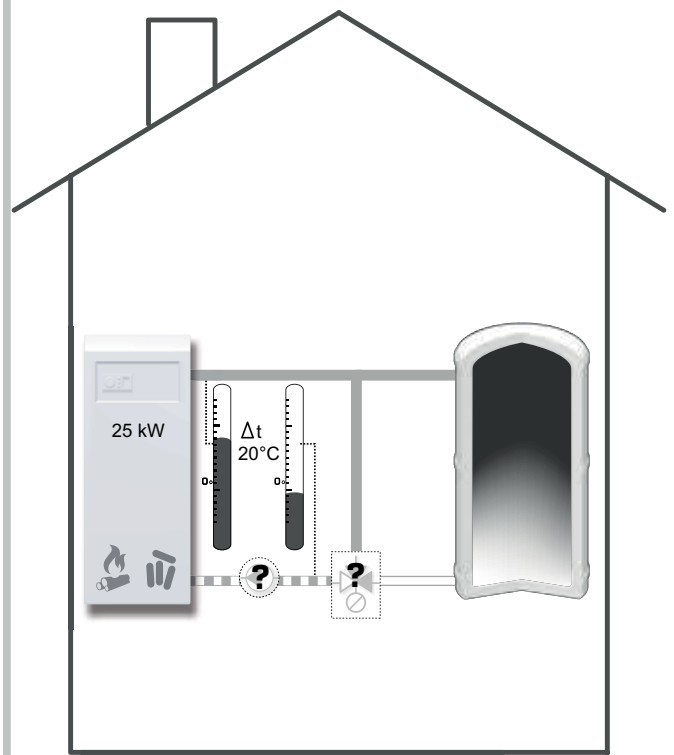


VTC420

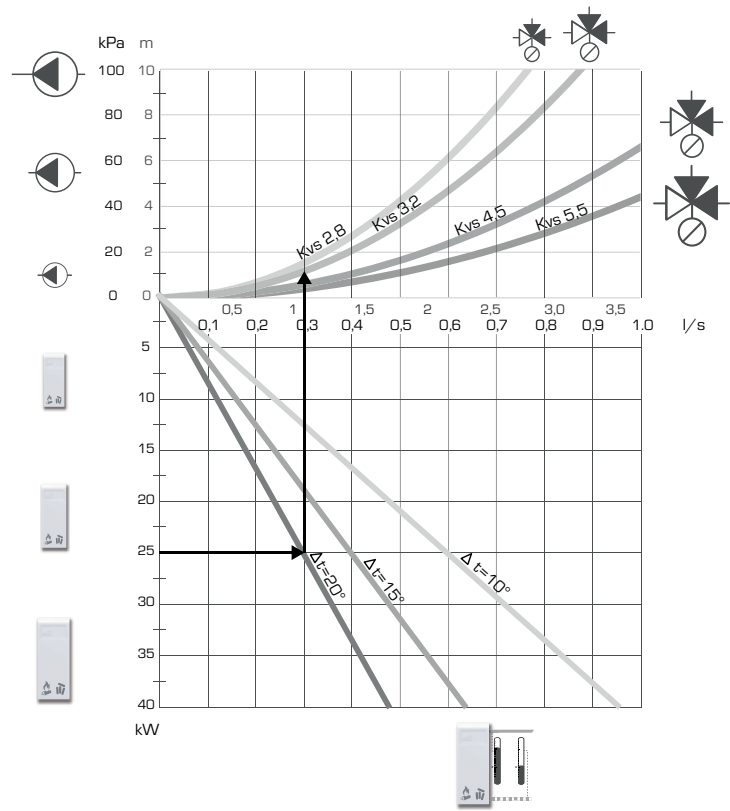




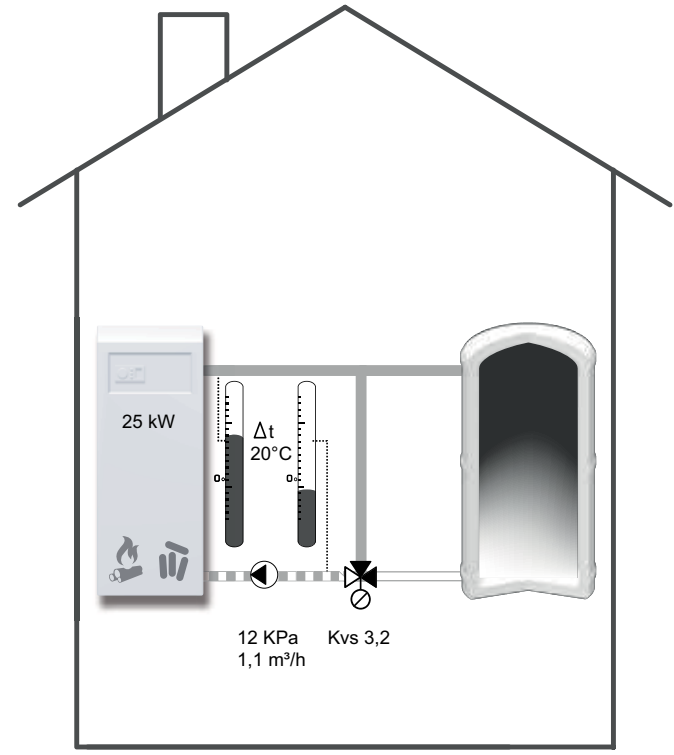
1



2

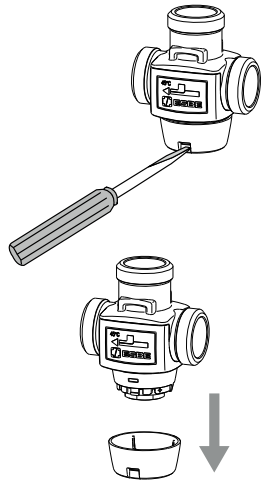


3

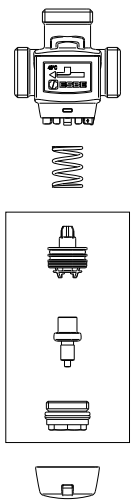




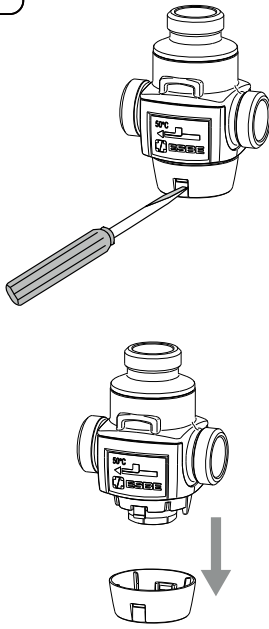
VTC300



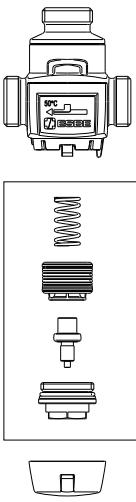
VTC931



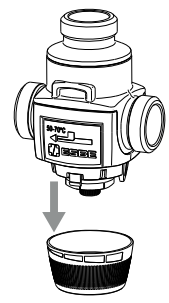
VTC410



VTC941



VTC420



VTC942

