

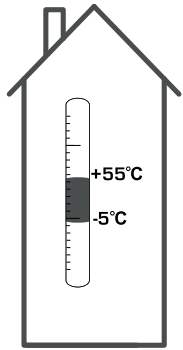
ESBE SERIES ARA600 Prop



Series ARA639
Series ARA659

CE

LVD 2006/95/EC
EMC 89/336/EEC
RoHS 2002/95/EEC



i



+



VRG, VRB, VRH

3MG, 4MG



3G, 4G

3F, 4F ≤ DN50

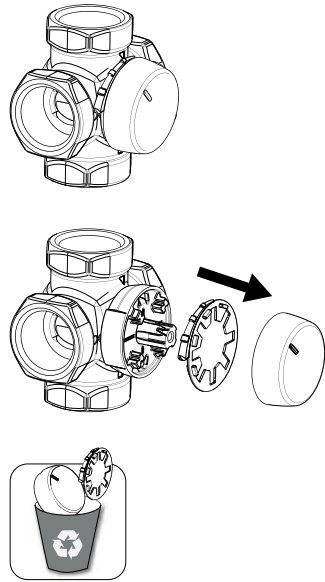
3HG, 4HG, 3H, 4H



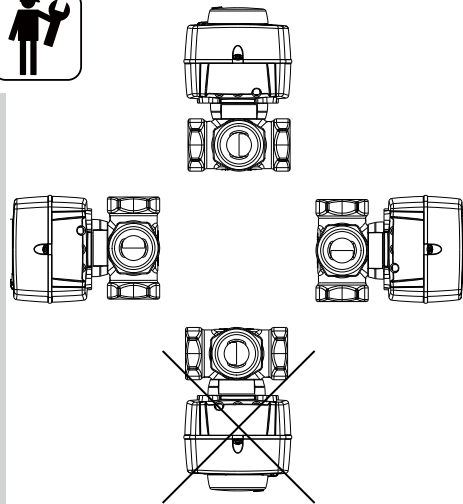
BV

T, TM

1



2

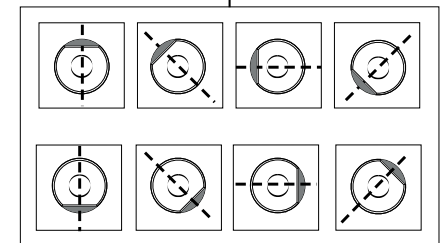
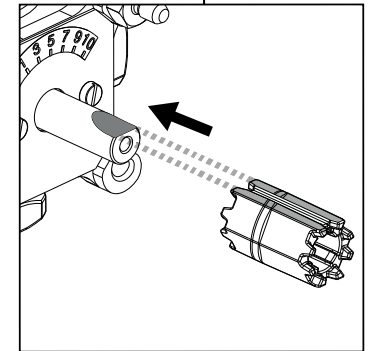
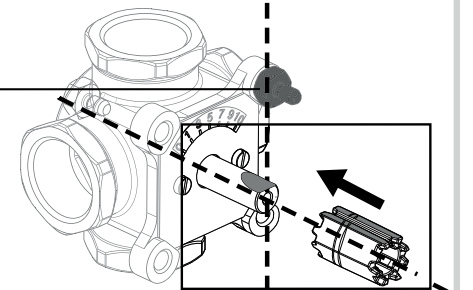


3

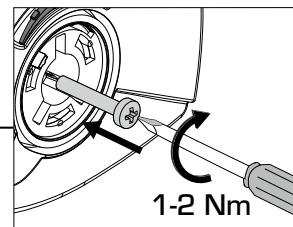
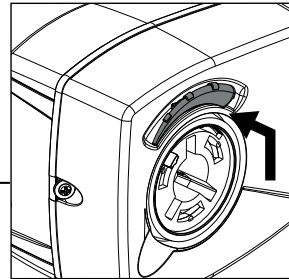
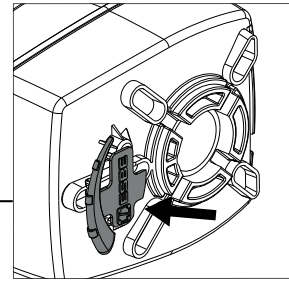
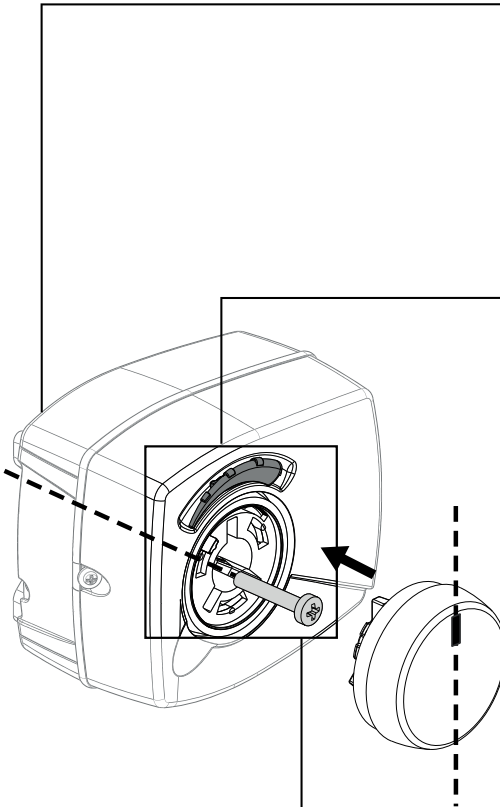
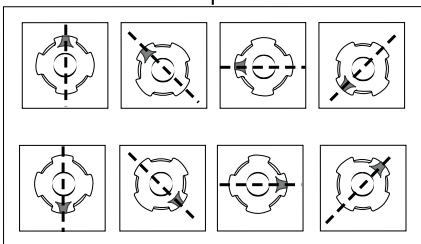
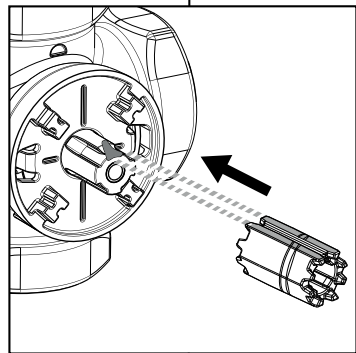
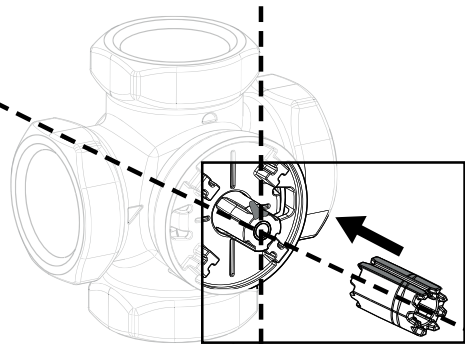


Series MG, G, F, H, HG, BIV, T, TM

	DN15-25	
	DN20-40	
	DN50	
	DN20-25	
	DN32-50	
	H: DN25	
	H: DN32-50	
	HG: DN25	
	DN20-22	
	DN25	
	T: DN20-32	
	TM: DN20	



Series VRGxxx, VRBxxx, VRHxxx



Mtrl.n: 9814 02 76 • Ritm.n: 8082 utg. J • Rev. 1608



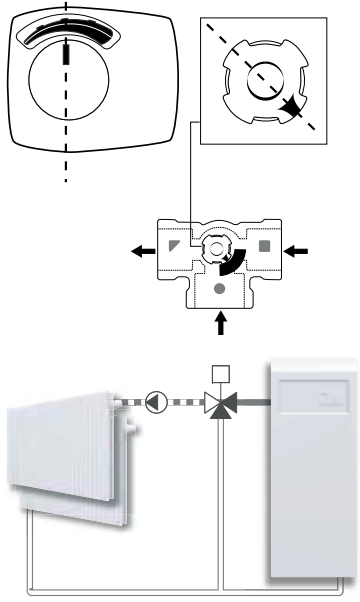
SERIES ARA600 Prop



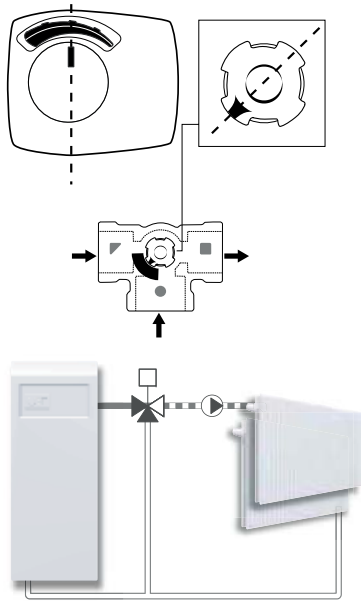
NO.1 IN HYDRONIC SYSTEM CONTROL

SERIES VRG130

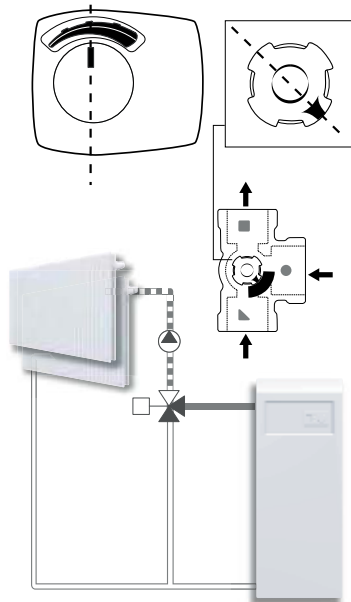
a



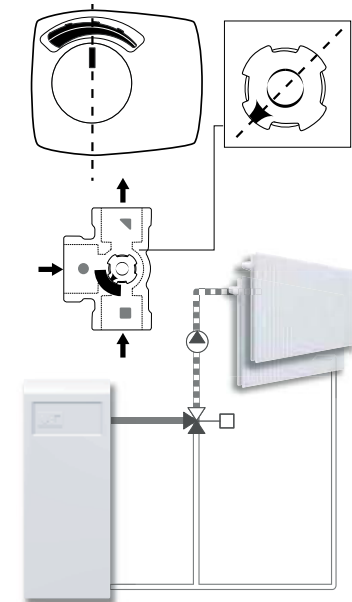
b



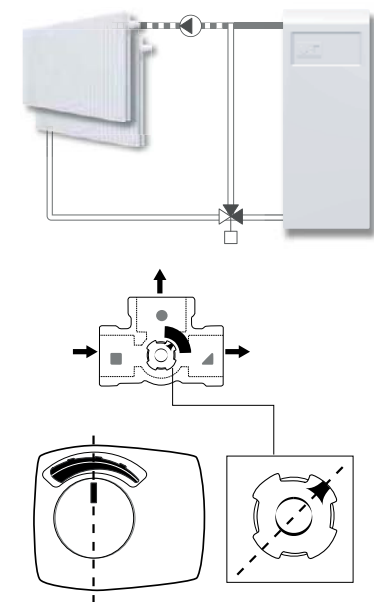
c



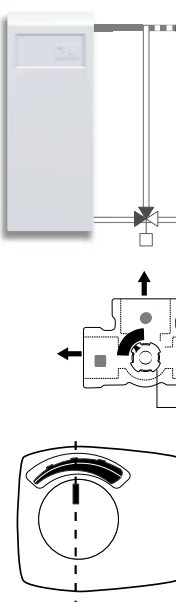
d



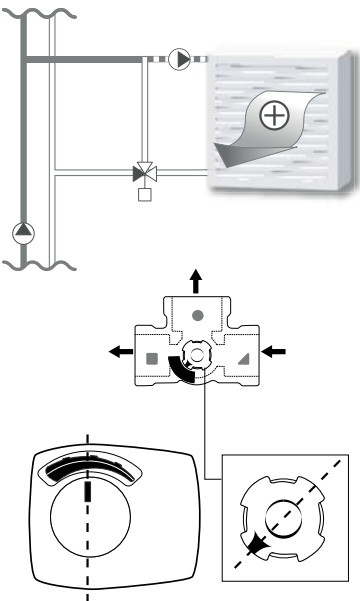
e



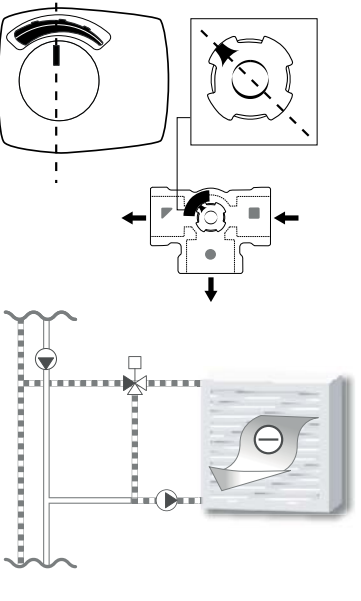
f



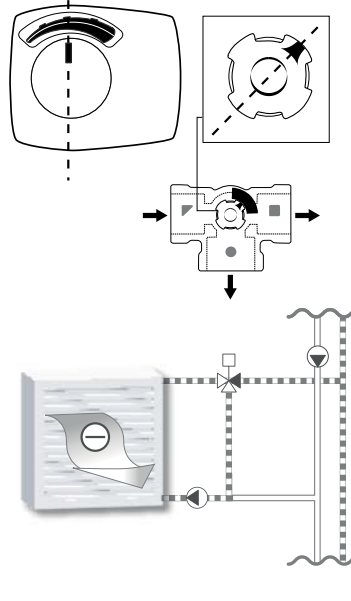
l



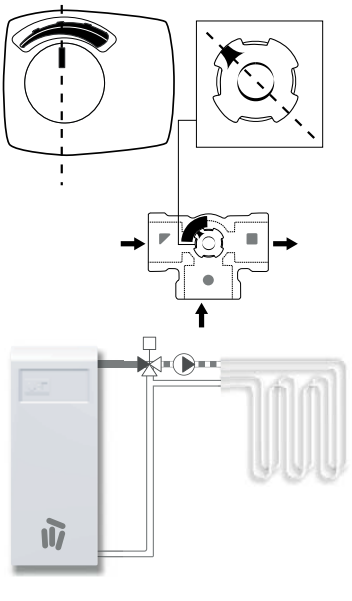
m



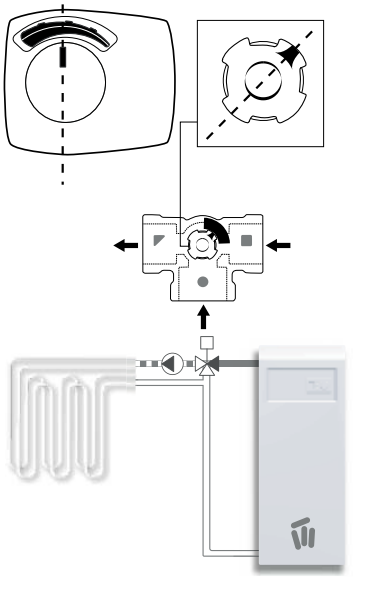
n



o

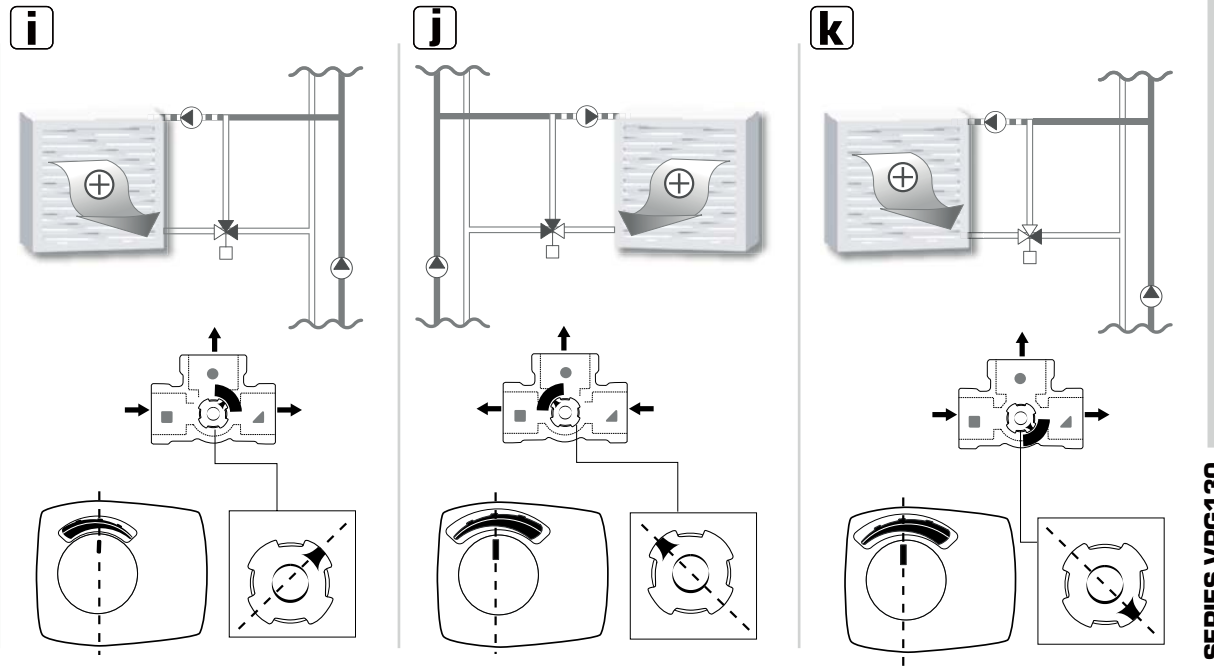
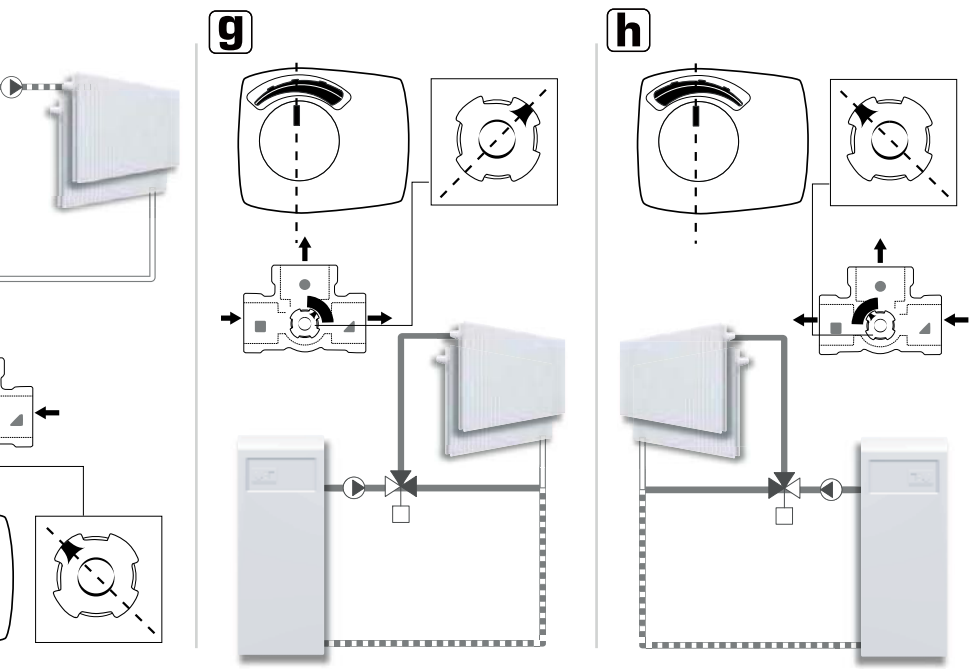


p



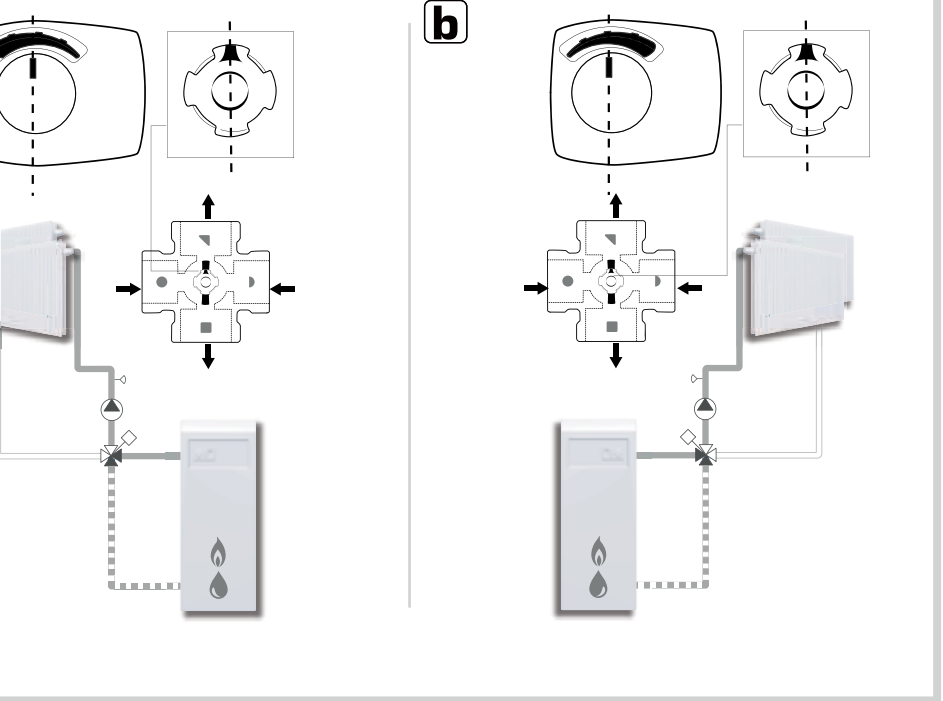
a



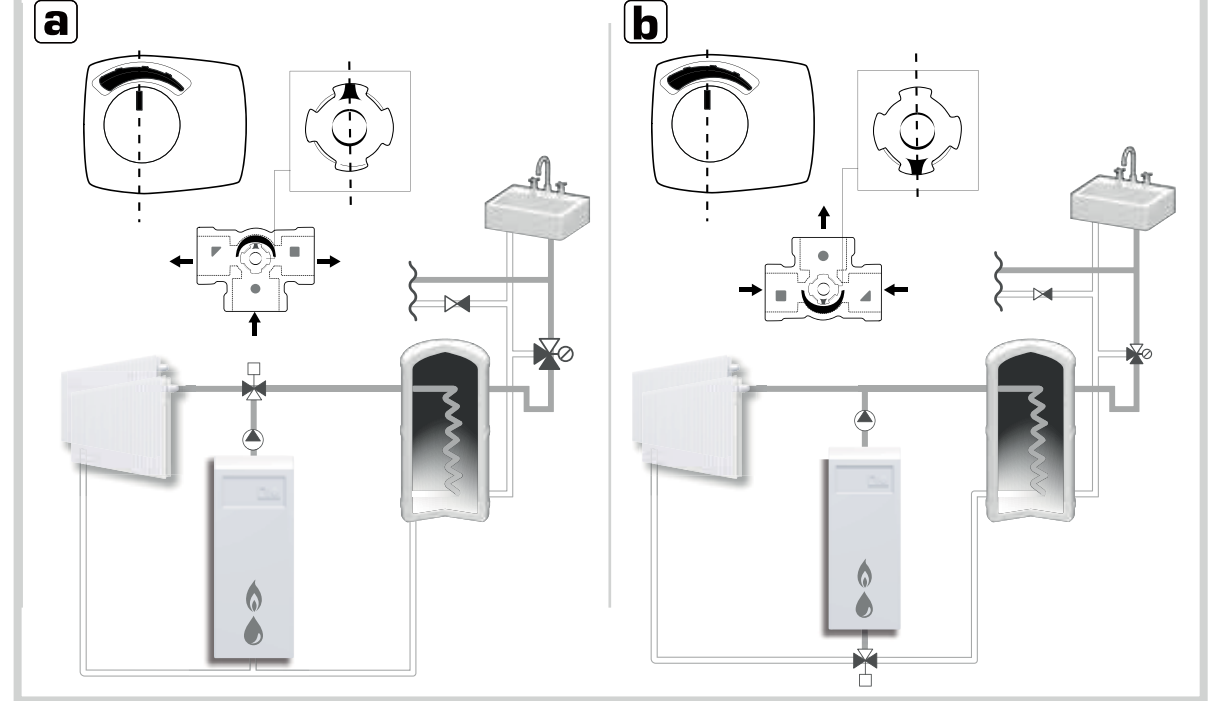


SERIES VRG130

SERIES VRG140

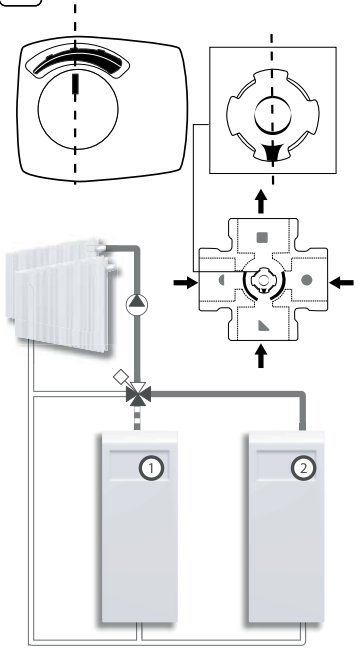


SERIES VRG230

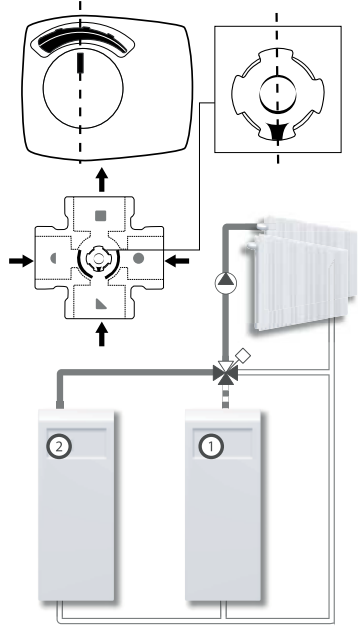


SERIES VRB140

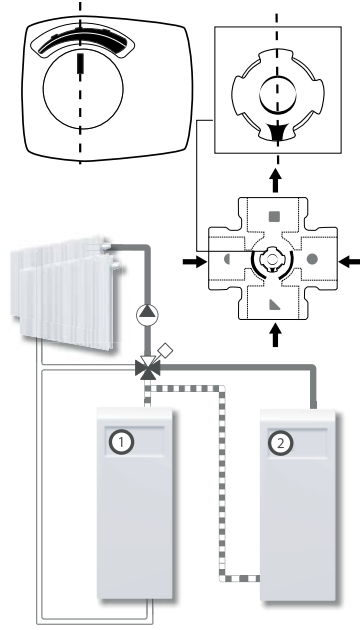
a



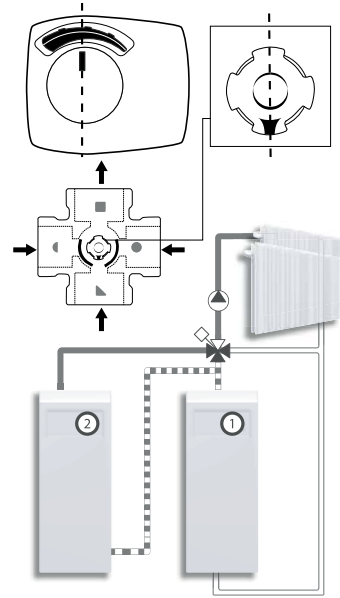
b



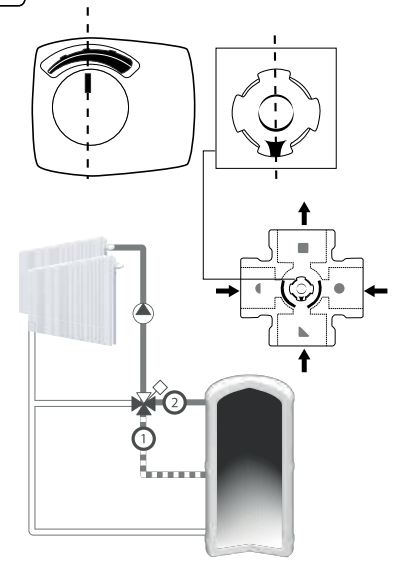
c



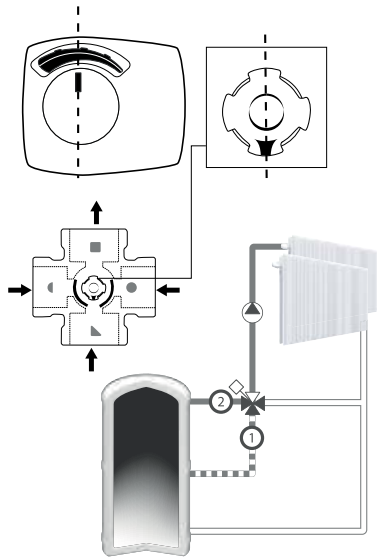
d



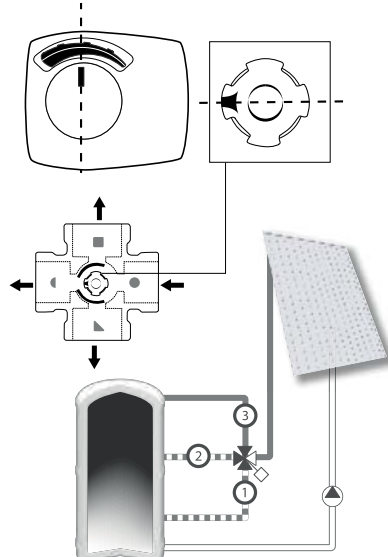
e



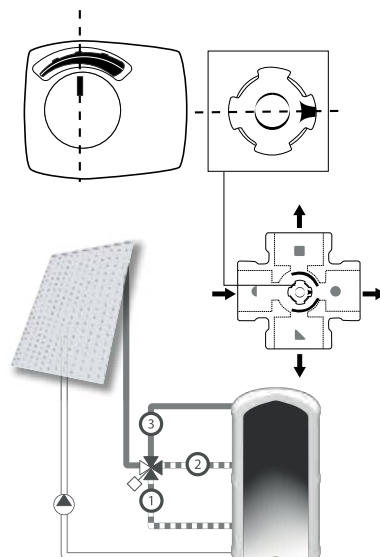
f



g

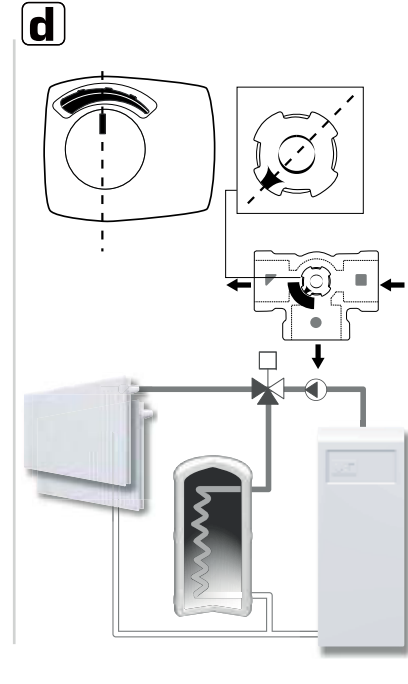
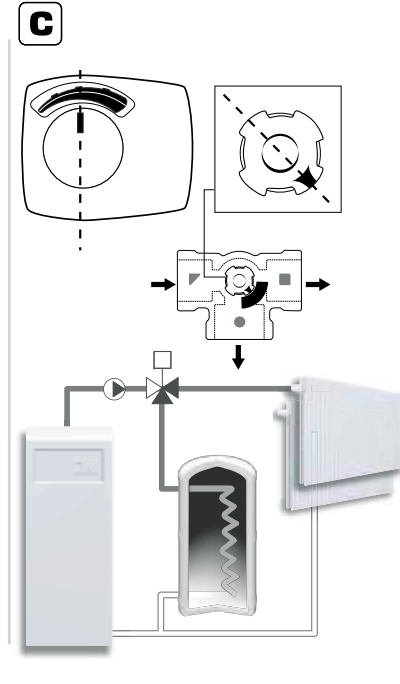
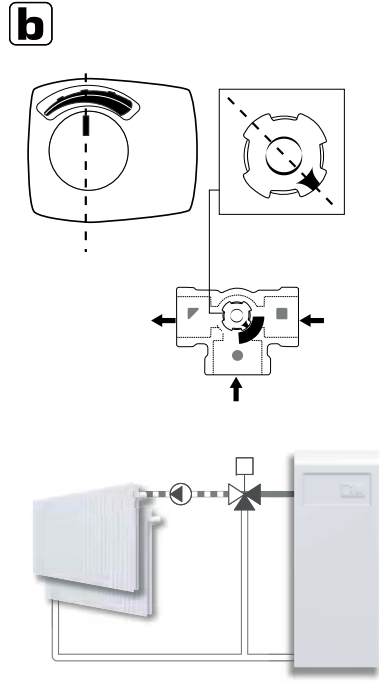
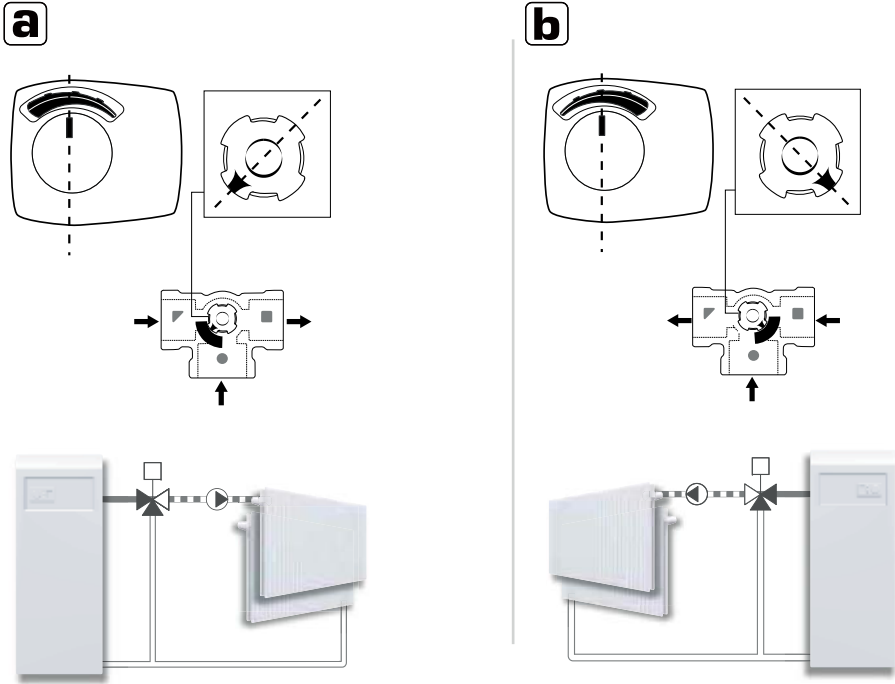


h



Piping Schematics are General Representations

SERIES VRG330



We would like to pinpoint to the existence of a German patent DE 19821256C5 affecting the usage of bivalent 4-way valves in liquid circulation heating systems. In this patent the usage of a 4-way bivalent valve in a type of heating system is protected, in which 2 different heating circuits are operated in parallel, where the return of the first circuit is utilized as heat source for the second circuit. The patent is owned by the company Vötsch Heiztechnik GmbH, Germany. The patent is not intended to be utilized as alternative secondary heat source for the floor heating. Such a utilization of our valve without approval of the patent holder is forbidden. All other applications our product group VRB are without restrictions possible.

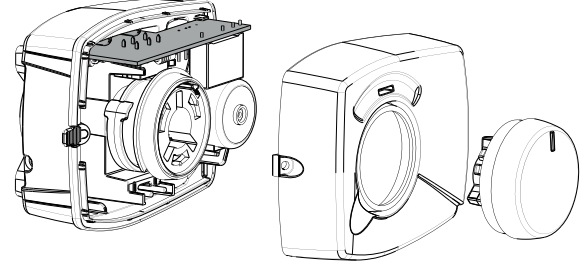
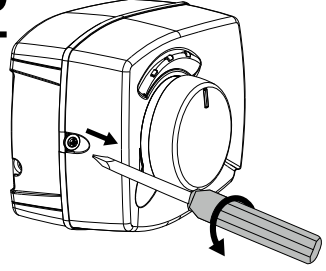
4



1



2





Series ARA639

3/U

3/I

4/U

ON

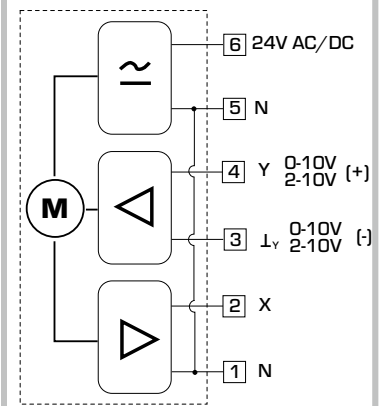
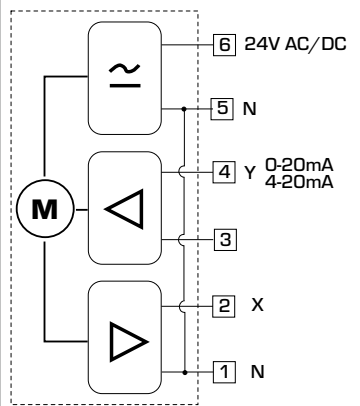
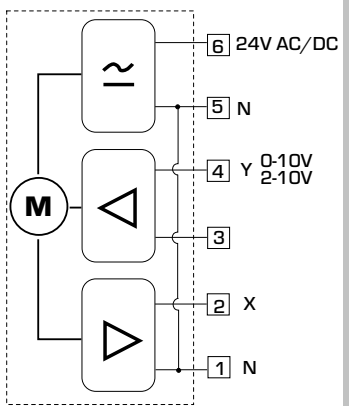
1	120s	60s	30s	15s
2	ON	ON	ON	ON
3	ON	ON	ON	ON
4	ON	ON	ON	ON

Y

0-10V	0-20mA	2-10V	4-20mA
ON	ON	ON	ON
3	ON	ON	ON
4	ON	ON	ON

ON

—	SEQ
CW	CCW



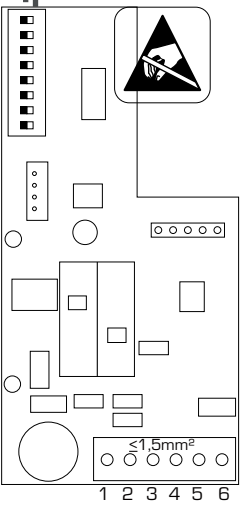
ON

1	120s	60s	30s
2	ON	ON	ON
3	OFF		
4	ON		

ON

ON	
CW	CCW
OFF	
OFF	

SEQ Cntrl



ON

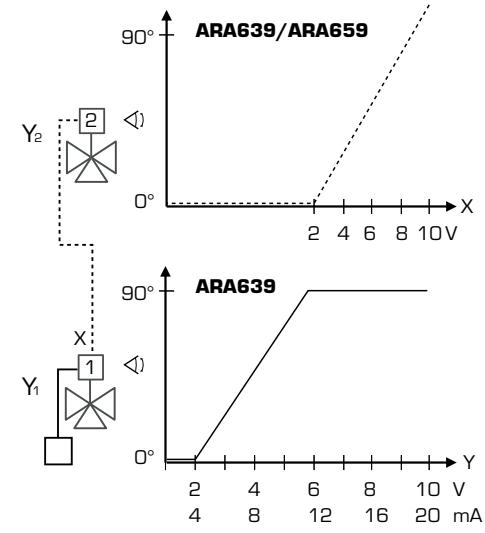
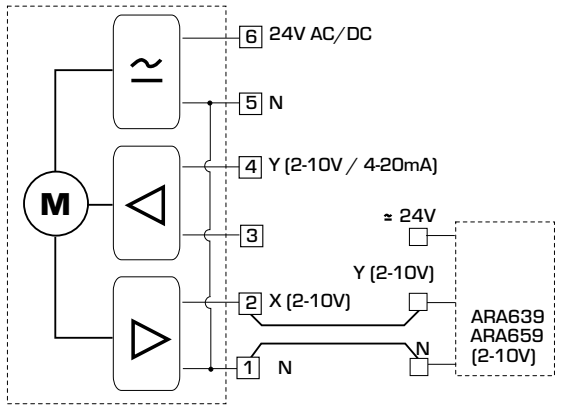
1	120s	60s	30s	15s
2	ON	ON	ON	ON
3	ON	ON	ON	ON
4	ON	ON	ON	ON

Y

2-10V	4-20mA
ON	ON
3	ON
4	ON

ON

—	SEQ
CW	CCW

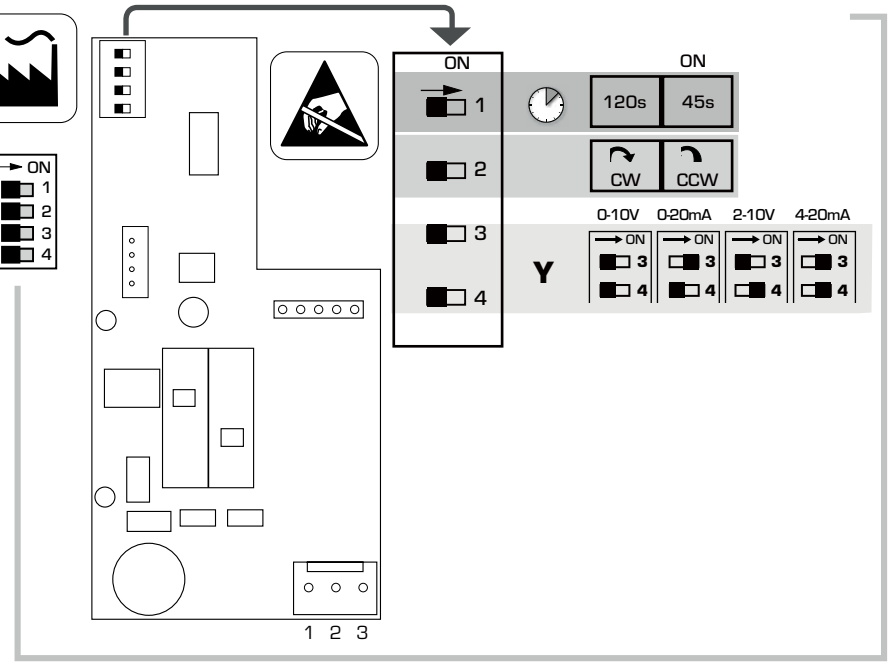
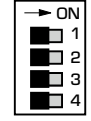
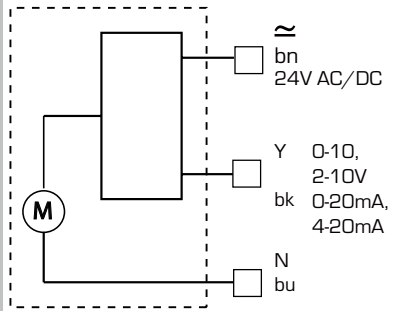
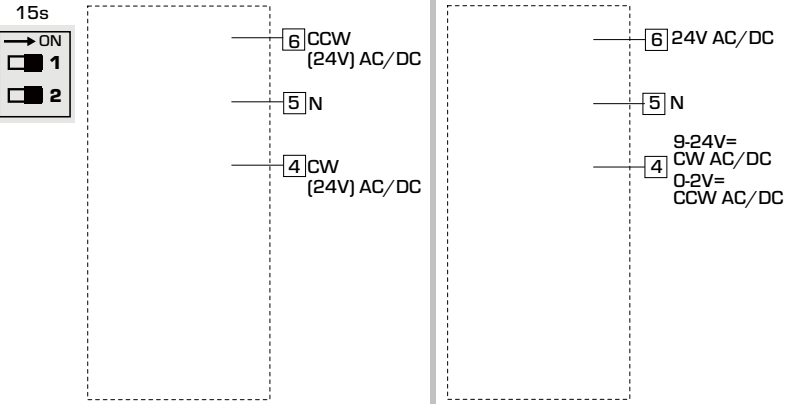


Series ARA659



3-point

2-point



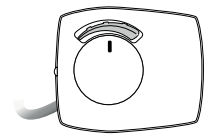
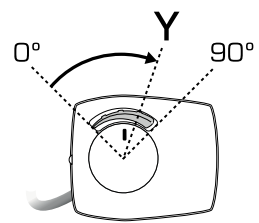
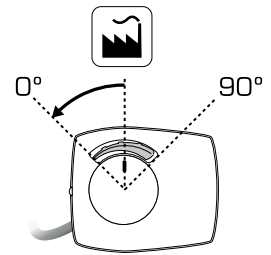
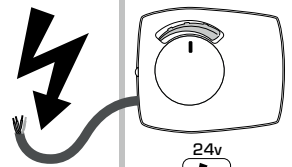
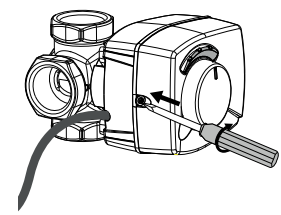
5



1

2

3



24v



2

1

