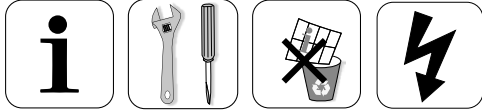


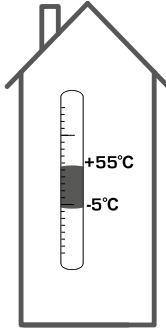
# ESBE SERIES CRA, CRB, CRC, CRD, CRS



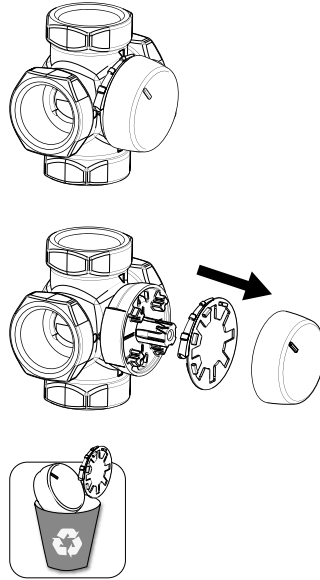
Series CRA110, CRA140, CRA150  
Series CRB100  
Series CRC110, CRC140  
Series CRD100  
Series CRS130

CE

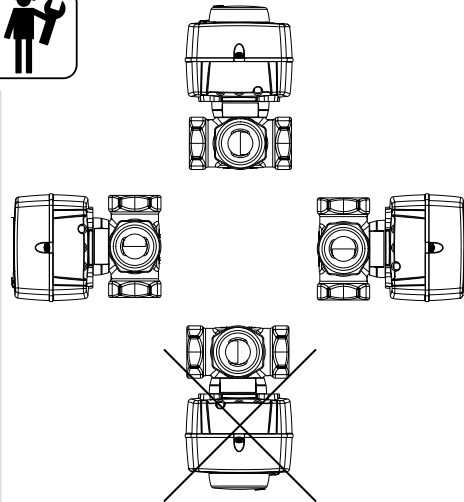
LVD 2006/95/EC valid until April 19th 2016  
LVD 2014/35/EU valid from April 20th 2016  
EMC 2004/108/EC valid until April 19th 2016  
EMC 2014/30/EU valid from April 20th 2016  
RoHS 2011/65/EU



**1**



**2**

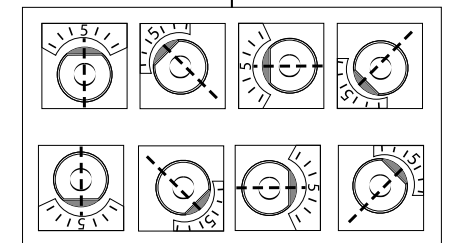
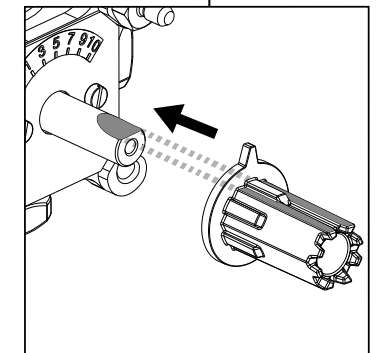
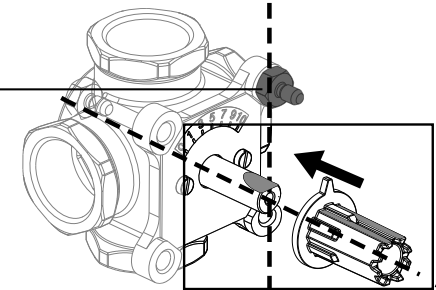


**3**



MG, G, F, H, HG, BIV, T, TM

	DN15-25	
	DN20-40	
	DN50	
	DN20-25	
	DN32-50	
	H: DN25	
	H: DN32-50	
	HG: DN25	
	DN20-22	
	DN25	
	T: DN20-32	
	TM: DN20	



**i**



CRA110, CRA140, CRA150  
CRB100  
CRC110, CRC140  
CRD100  
CRS130



VRG, VRB, VRH

3MG, 4MG



3G, 4G

3F, 4F ≤ DN50

3HG, 4HG, 3H, 4H

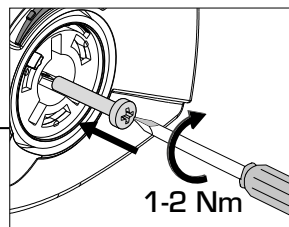
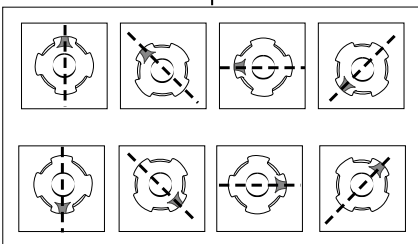
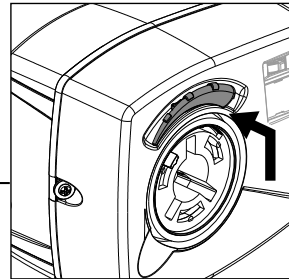
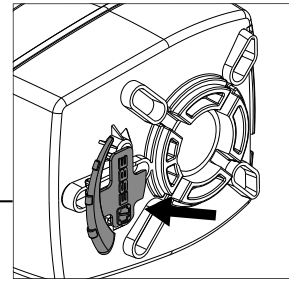
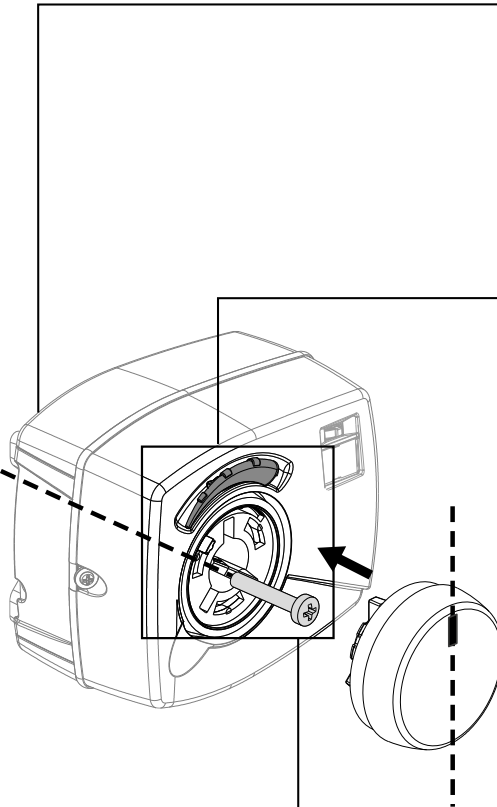
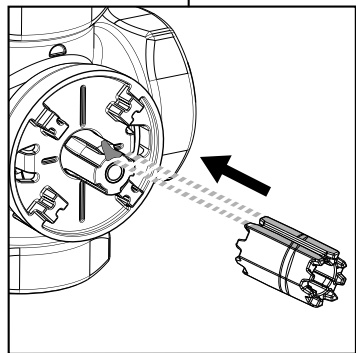
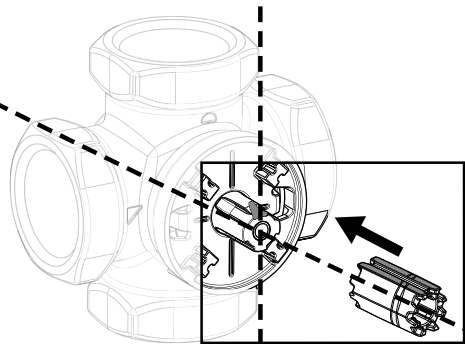


BIV



T, TM

**VRG130, VRG140,  
VRG230, VRG330  
VRB140, VRH130**



**ESBE®**  
www.esbe.eu

Mtrl.nr: 98140403 • Ritn.nr: 8308 utg. D • Rev. 1512



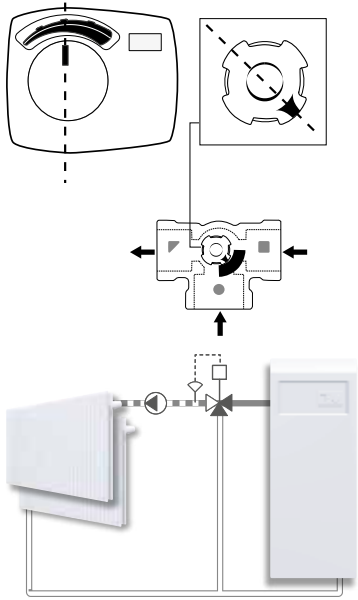
**SERIES**  
**CRA110, CRA140, CRA150, CRB100,  
CRC110, CRC140, CRD100, CRS130**

**ESBE®**

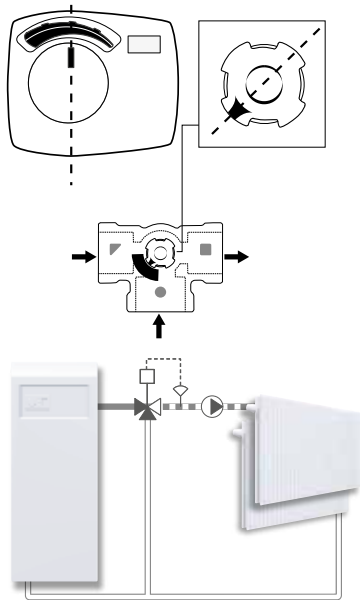
NO.1 IN HYDRONIC SYSTEM CONTROL

**SERIES VRG130**

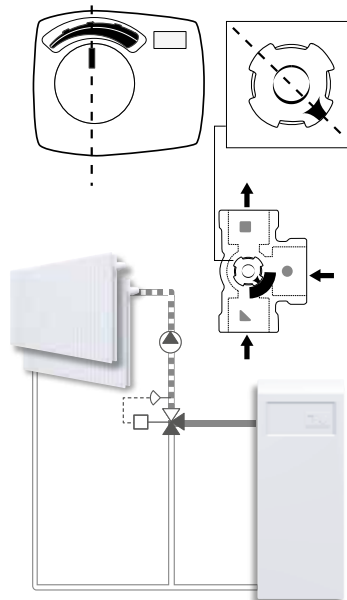
**a**



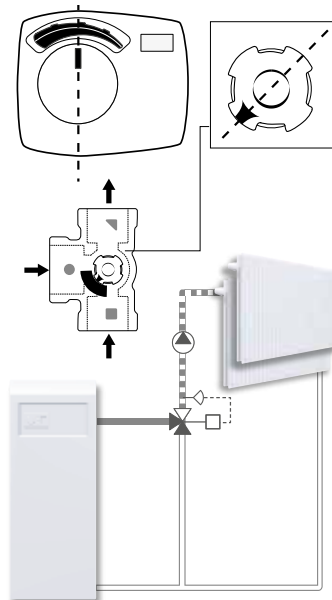
**b**



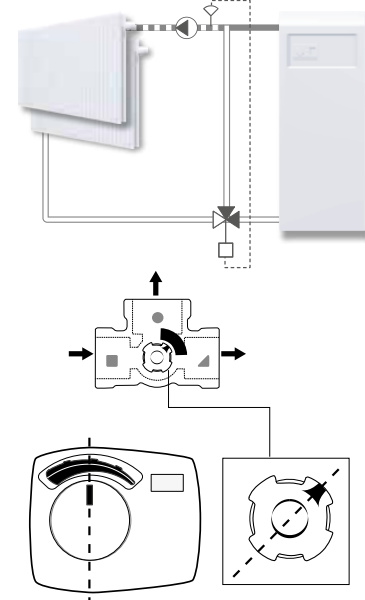
**c**



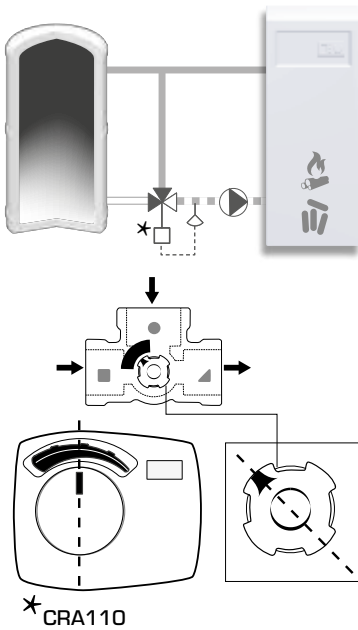
**d**



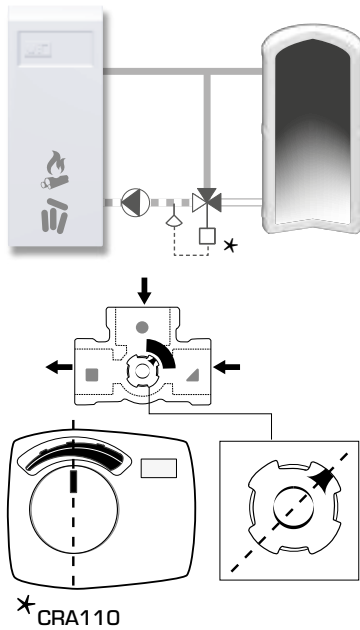
**e**



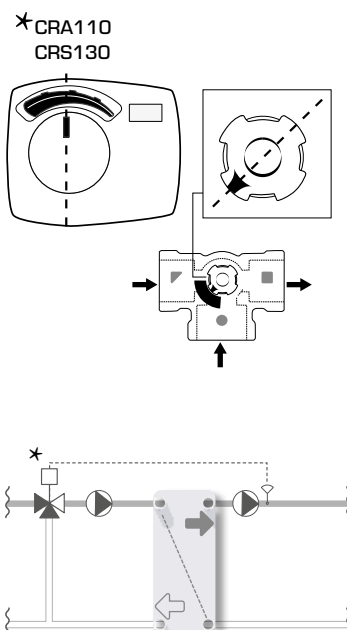
**k**



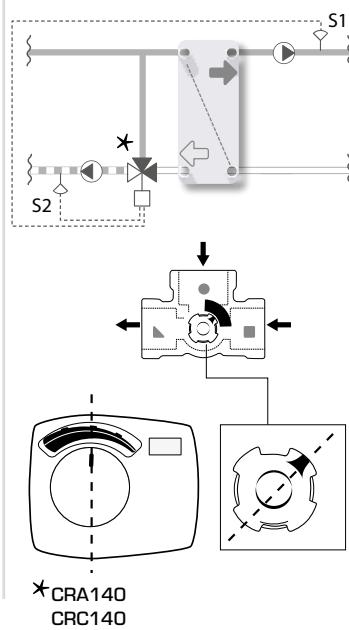
**l**



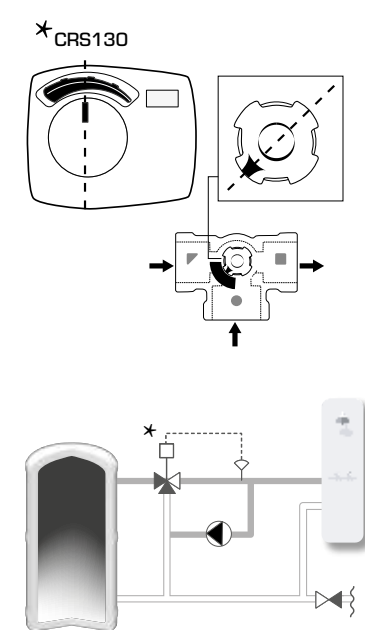
**m**

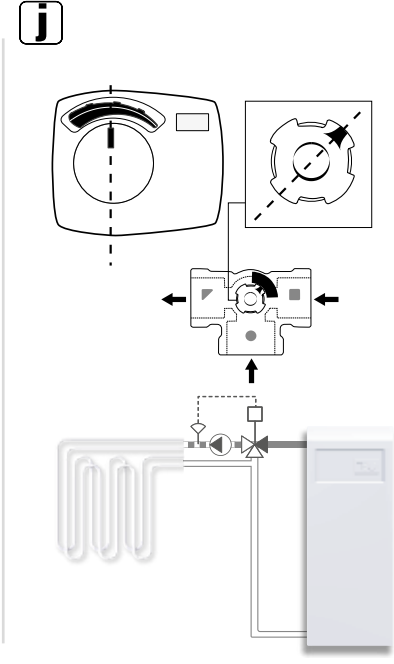
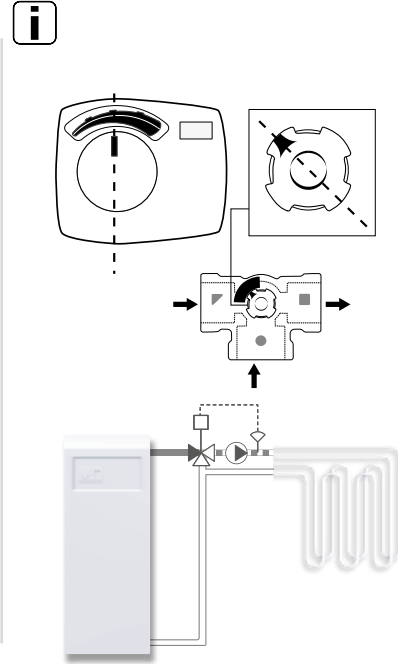
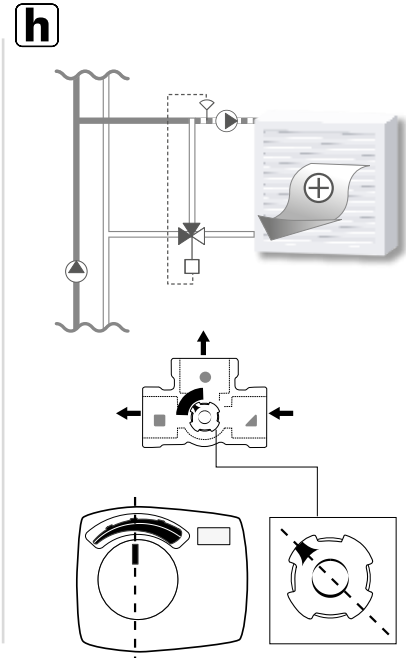
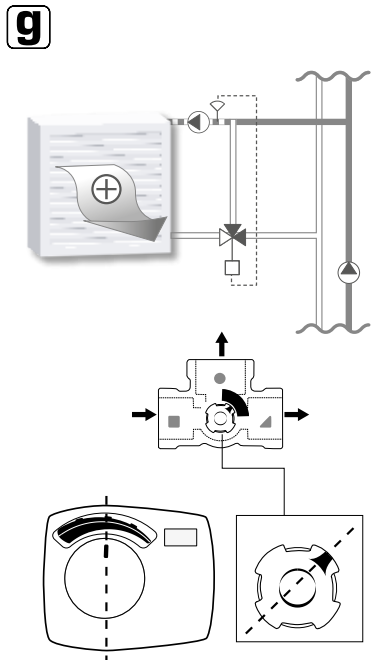
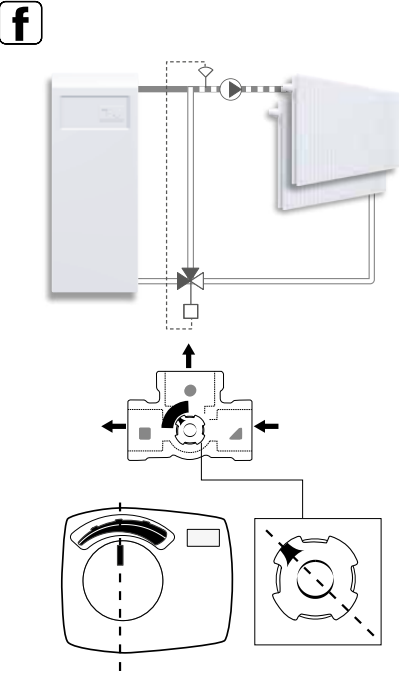


**n**

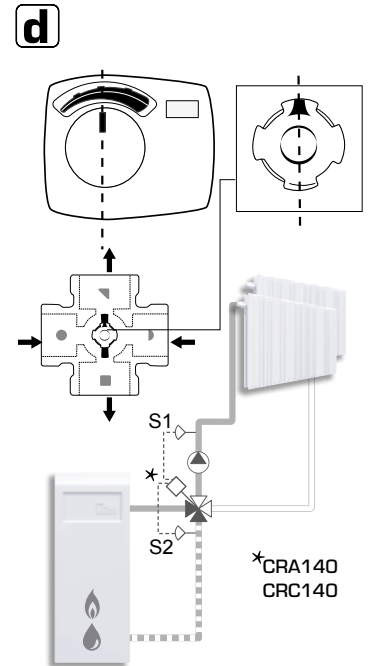
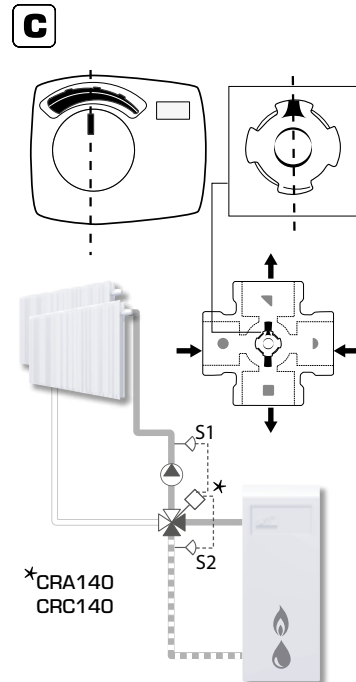
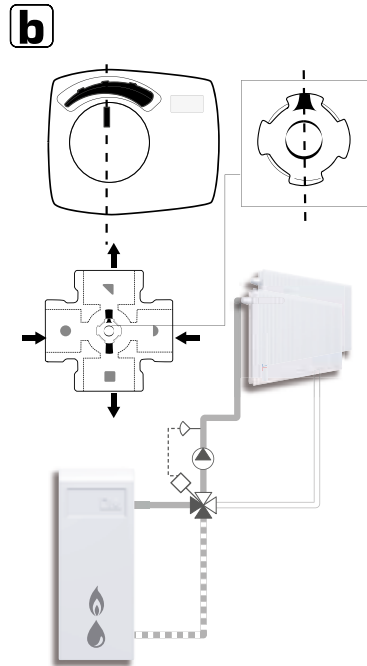
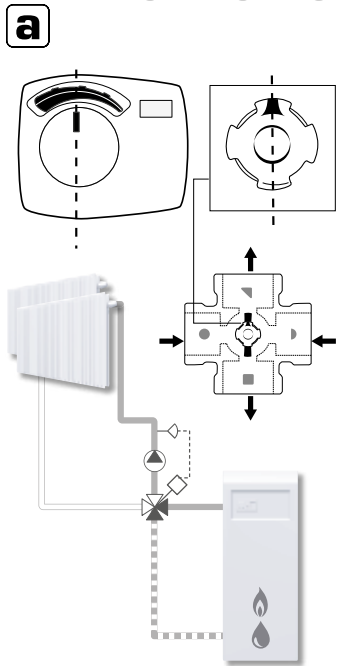


**o**

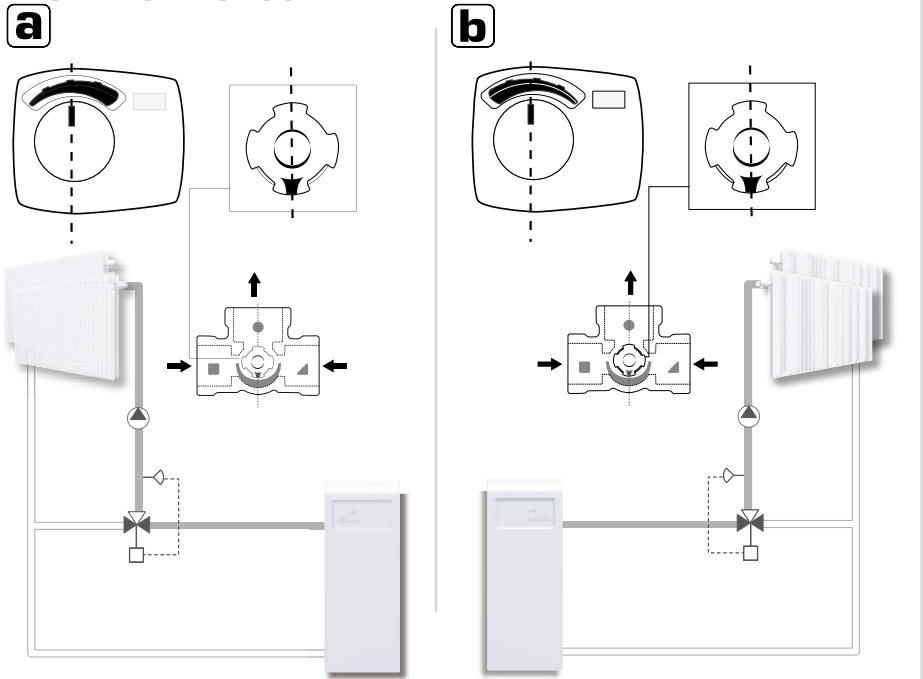




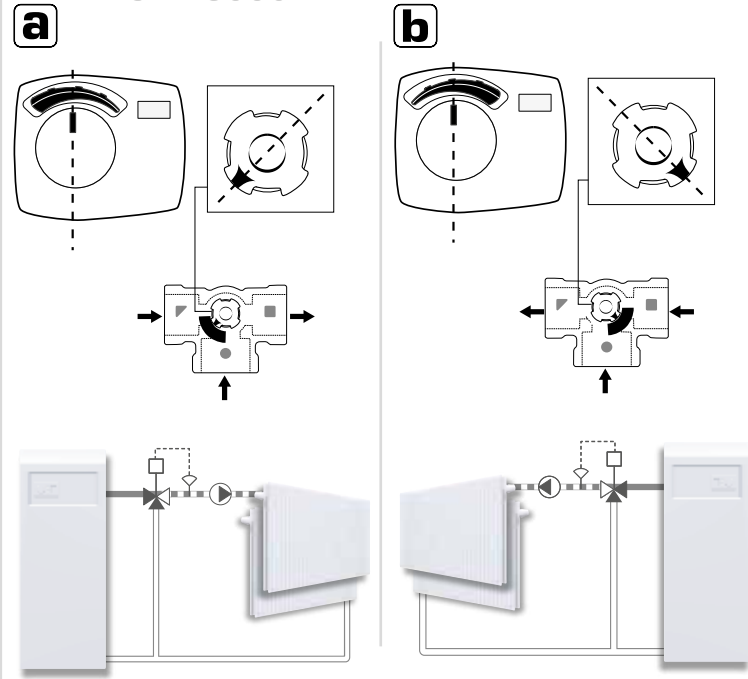
**SERIES VRG140**



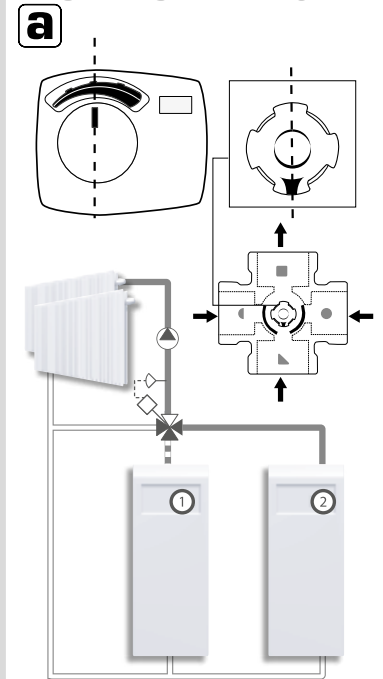
### SERIES VRG230



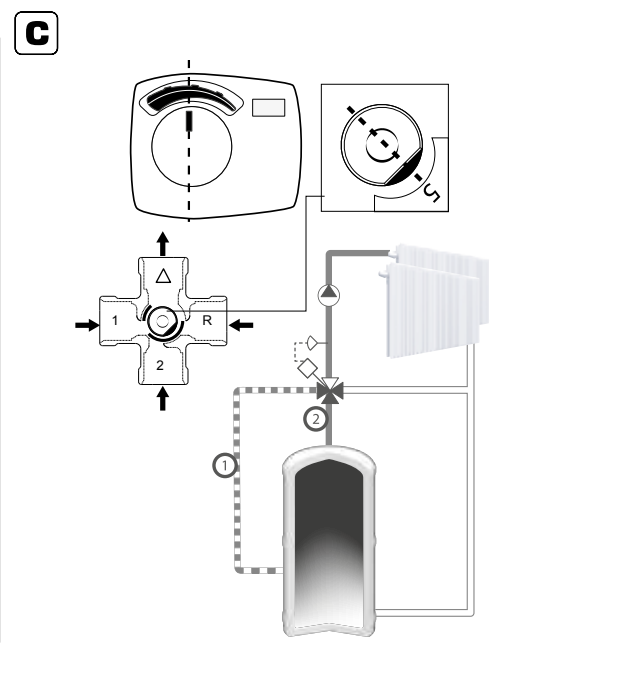
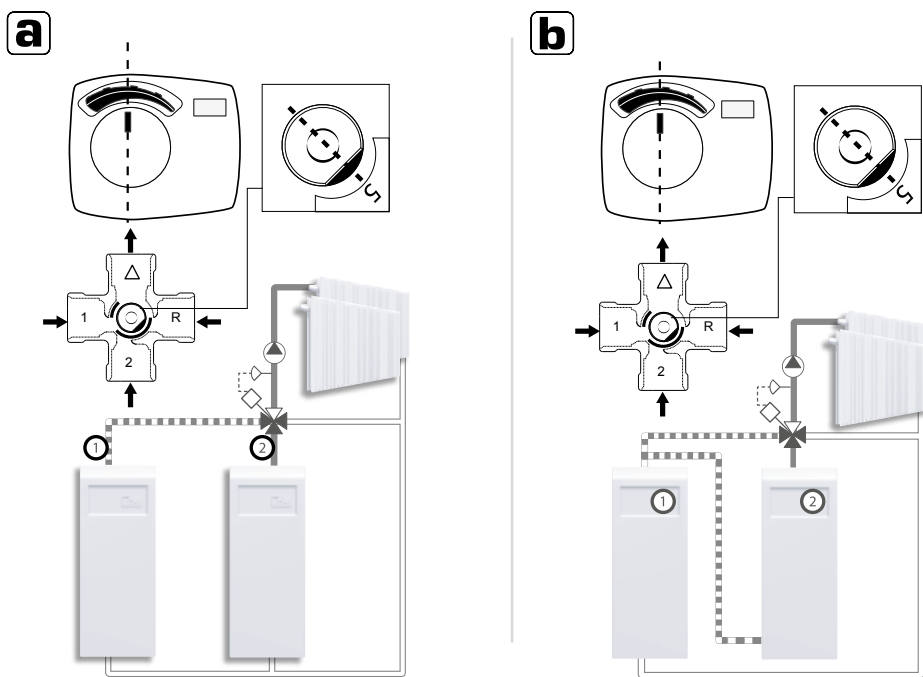
### SERIES VRG330



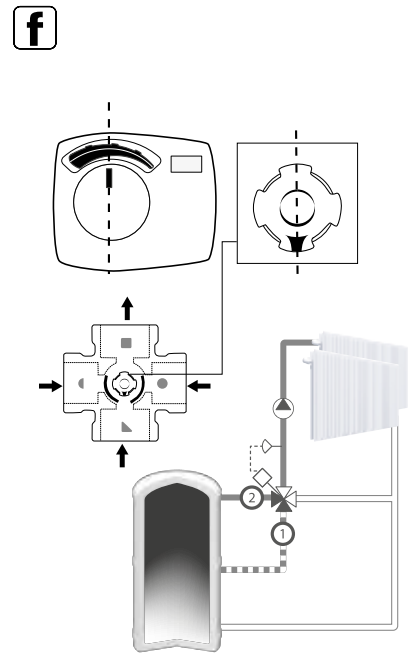
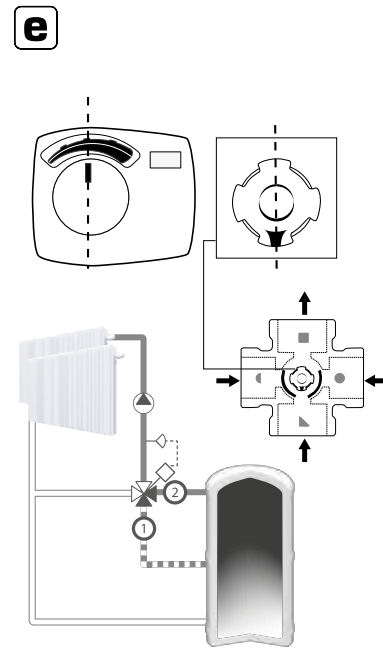
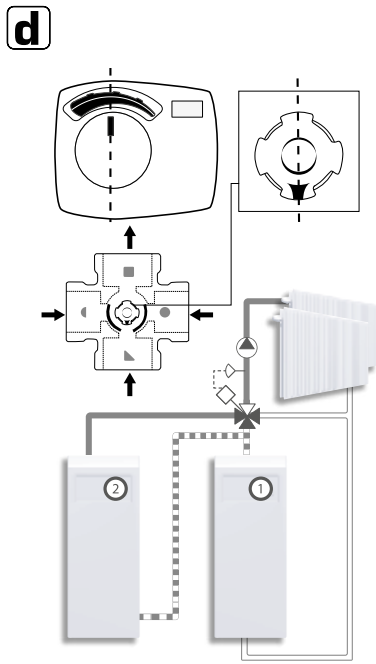
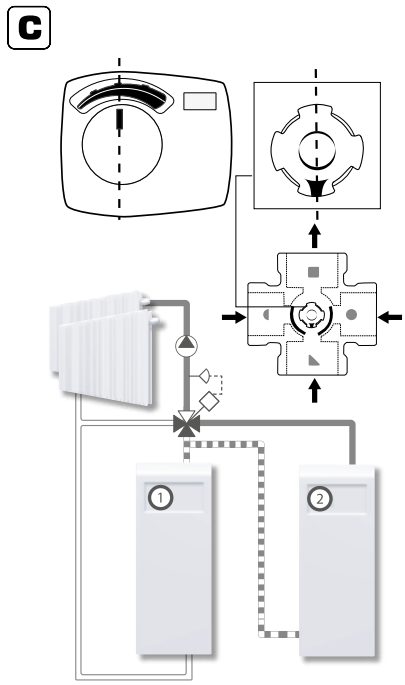
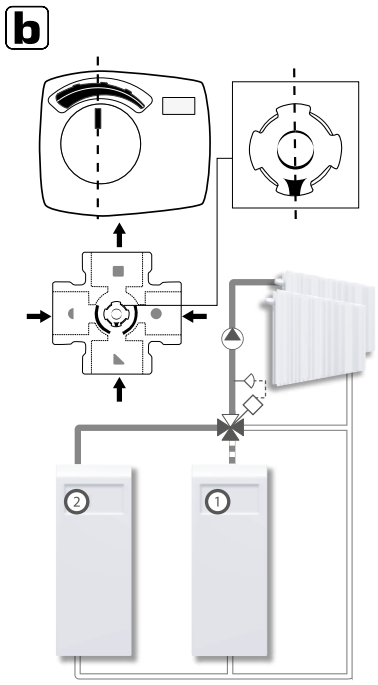
### SERIES VRB140



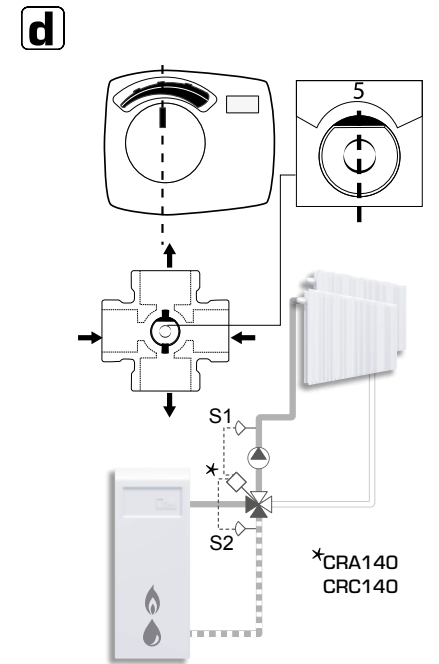
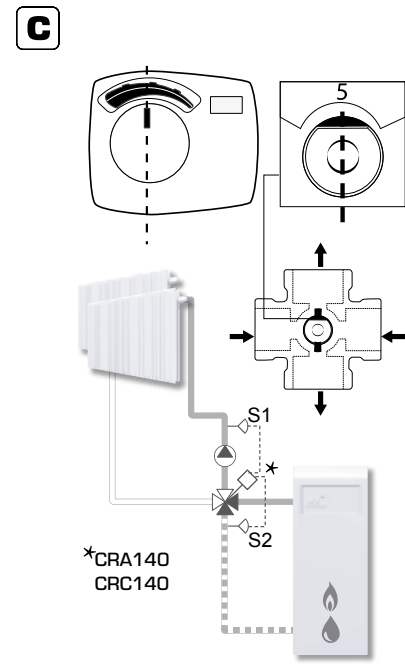
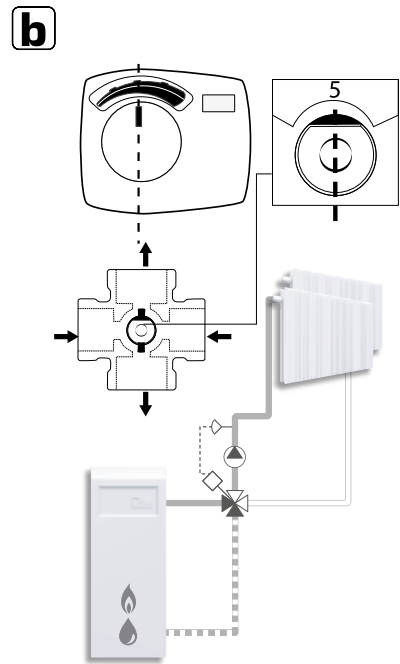
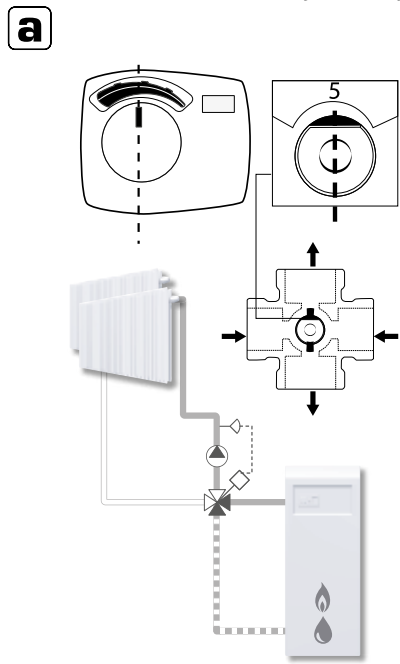
### SERIES BIV



\*We would like to point out to the existence of a German patent DE 10021266C5 offering the usage of bivalent 4-way valves in level control circuits. In this case the valve is used for 4-way bivalent control circuits. A typical application would be a primary heat circuit with a heat source and a parallel floor heating, where the floor heating in a regulated manner is heated through its heat source and the return from the primary heat circuit is utilized as alternative secondary heat source for the floor heating. Such a utilization of our bivalent 4-way valve without approval of the patent holder is forbidden. All other applications our product group VRB are without restrictions possible.

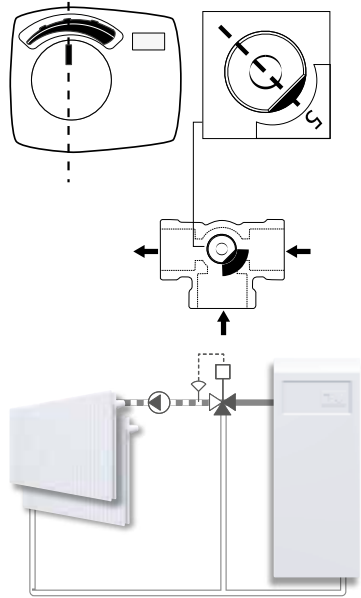


**SERIES 4F, 4MG, 4G**

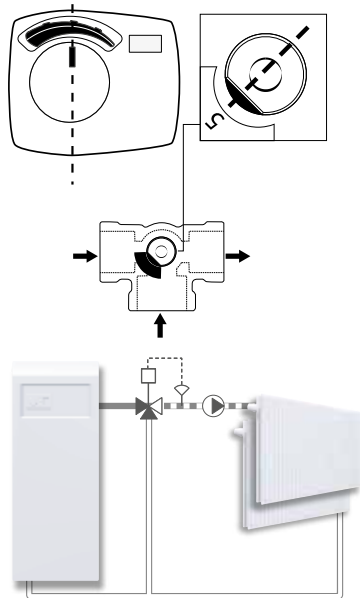


**SERIES 3F, 3MG, 3G**

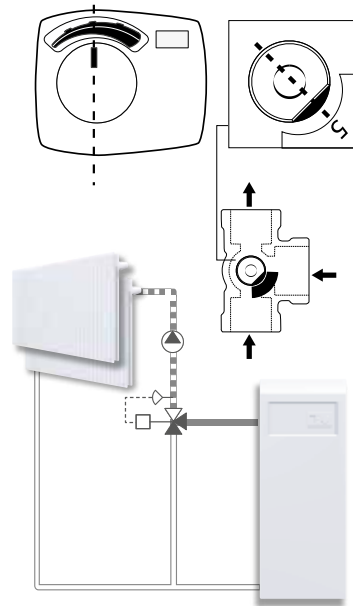
**a**



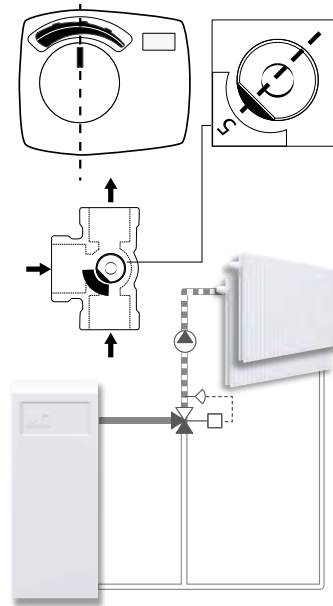
**b**



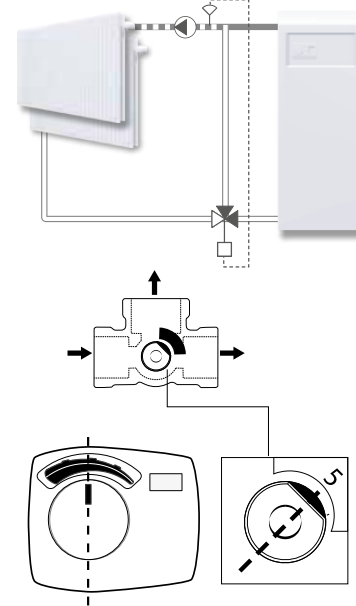
**c**



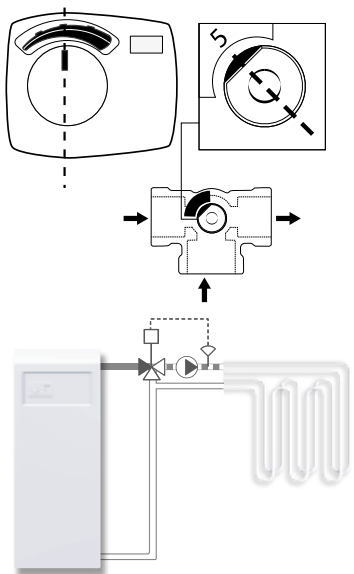
**d**



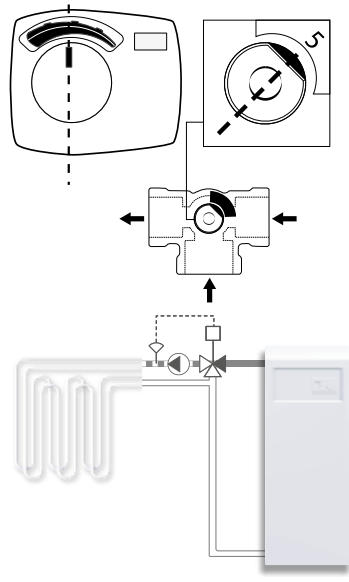
**e**



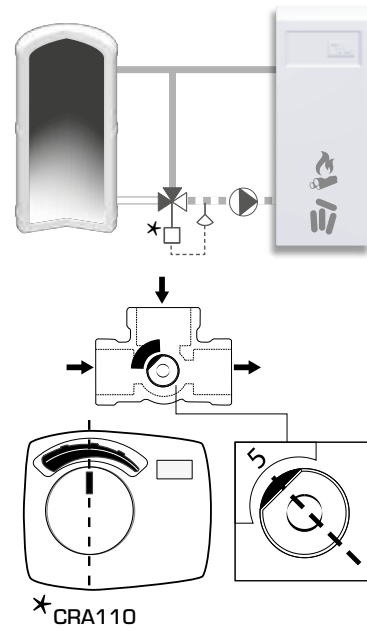
**k**



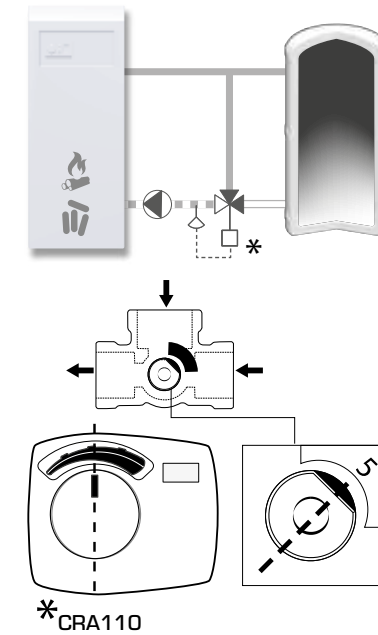
**l**



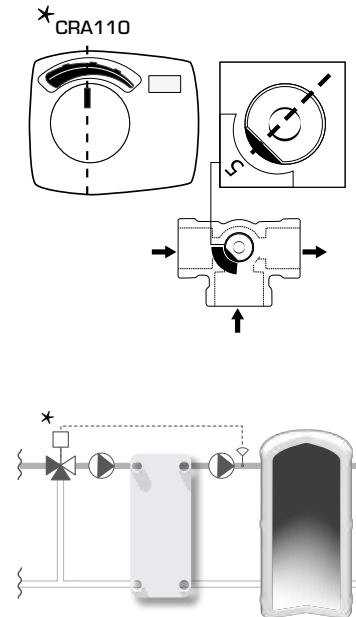
**m**

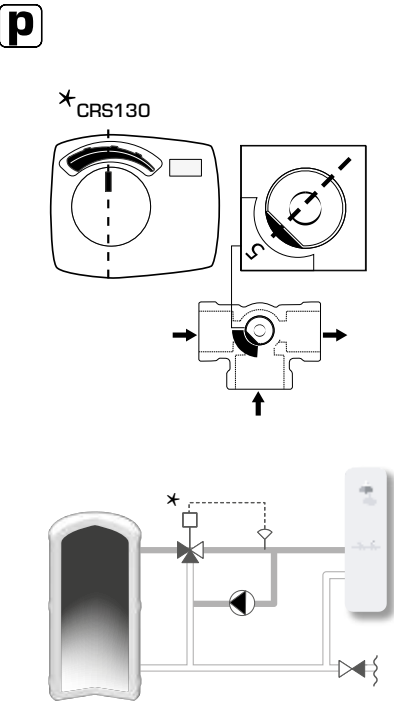
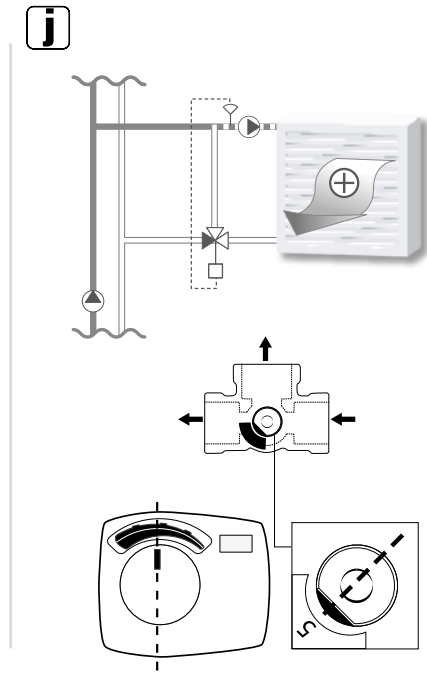
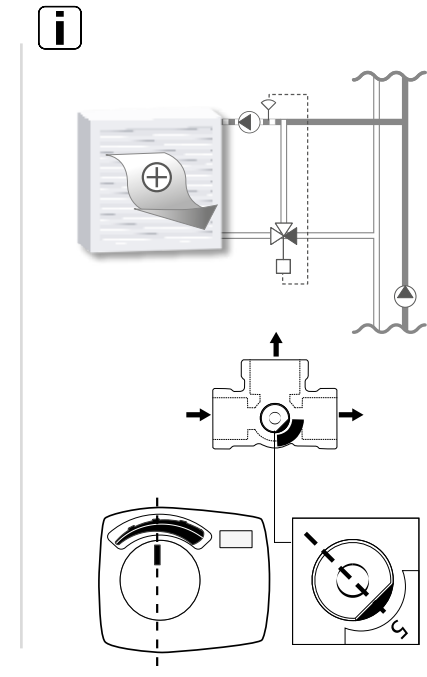
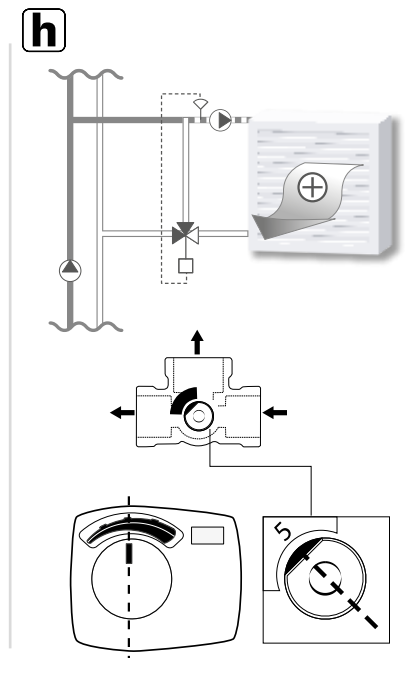
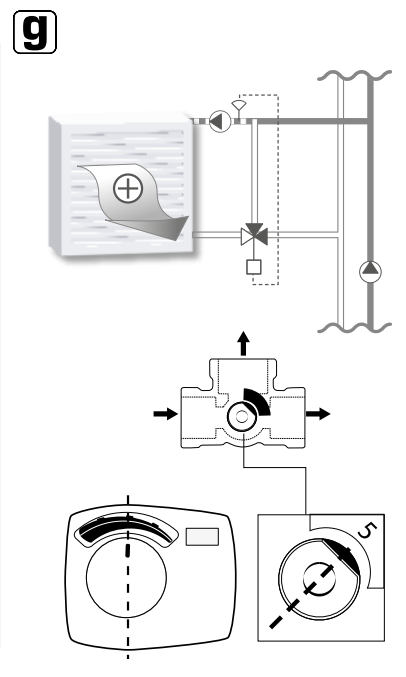
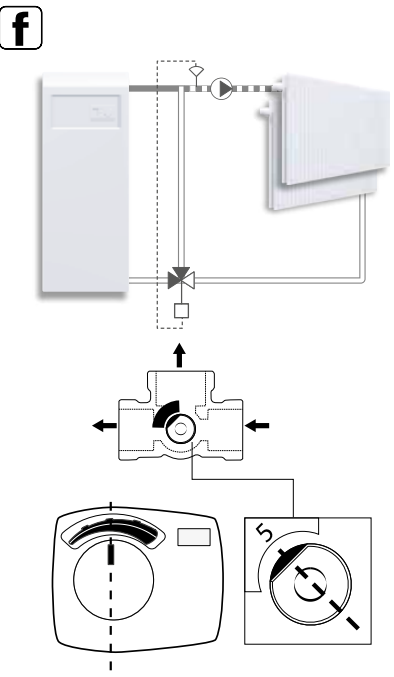


**n**



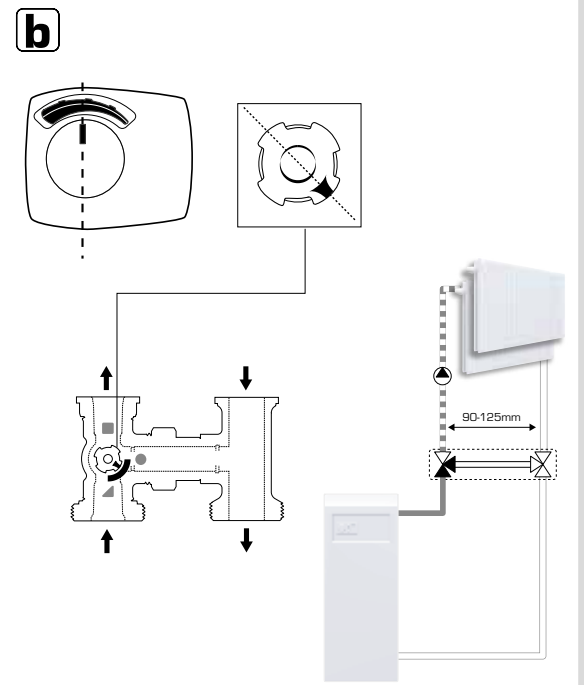
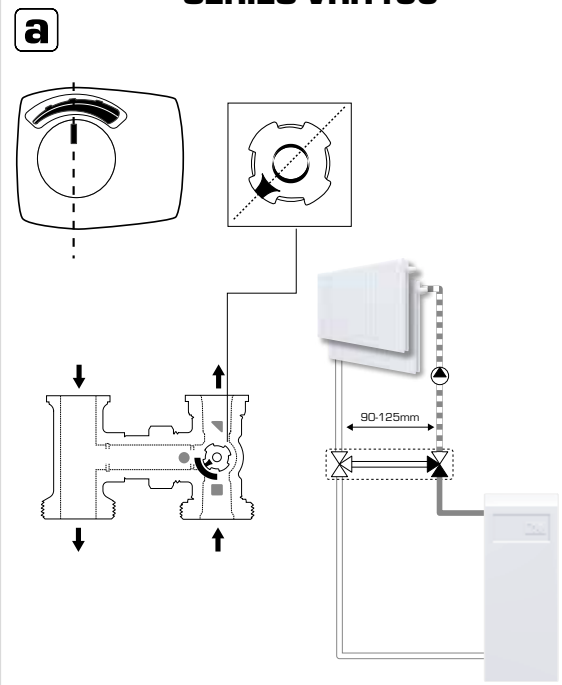
**o**





SERIES 3F, 3MG, 3G

**SERIES VRH130**



Piping Schematics are General Representations

